

# SWING CHECK VALVE

## FLANGED ENDS

370262  
PN16

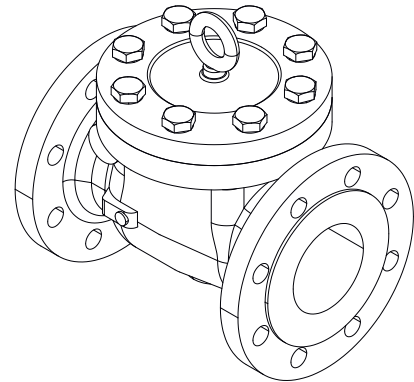
**DESCRIPTION:** Straight type, cast steel body, full bore Stellite trim swing check valve. Raised face flanged.

**APPLICATION:** Preventing backflow in water, oil and aggressive/abrasive media etc.

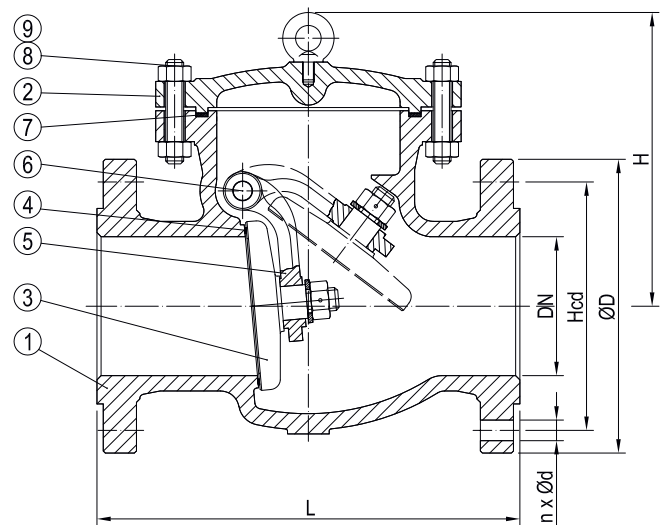
**STANDARD & DESIGN:**

Design Code: BS 1868  
 Inspection Std.: EN 12266-1  
 End Std.: EN 1092-1  
 Face to Face Std.: EN 558-1  
 Flanges drilled: PN16(DN40-DN400)  
 Pressure rating: PN16(DN40-DN400)

**VARIATIONS:** Other dimensions and materials on request.



No	Part	Material	Code
1	Body	Cast Steel	ASTM A216-WCB
2	Bonnet	Cast Steel	ASTM A216-WCB
3	Disc	Cast Steel	ASTM A216-WCB
4	Seat	Deposited Stellite	-
5	Hinge	Cast Steel	ASTM A216-WCB
6	Hinge Pin	Stainless Steel	ASTM A276-420
7	Gasket	Graphite	-
8	Stud Bolt	Steel	ASTM A193 Gr.B7
9	Nut	Steel	ASTM A194 Gr.2H



DN	n x ød	Hcd	øD	L	H	Kg
40	4x18	110	150	180	130	18
50	4x18	125	165	200	135	21
65	4x18	145	185	240	142	28
80	8x18	160	200	260	165	38
100	8x18	180	220	300	180	58
125	8x18	210	250	350	210	92
150	8x22	240	285	400	233	130
200	12x22	295	340	500	304	210
250	12x26	355	405	600	348	294
300	12x26	410	460	700	390	367
400	16x30	525	580	900	468	461