

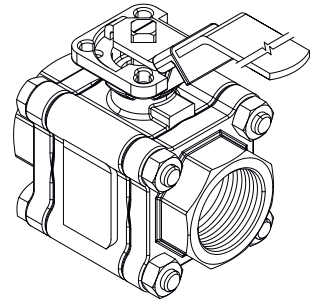
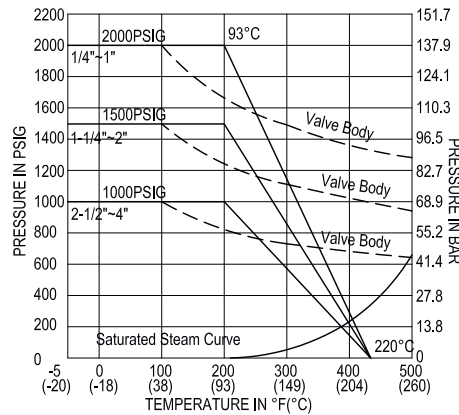
DESCRIPTION: Three piece, full bore, AISI 316 body ball valve with AISI 316 ball and carbon filled PTFE seat ring. Female BSPP threaded ends.

APPLICATION: Start/stop flow of: Compressed air, steam, gases and acidic media etc. Typically also used for drain and vent purposes.

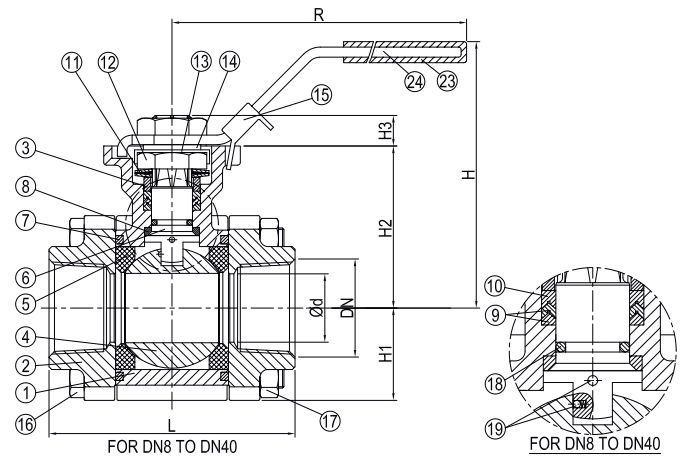
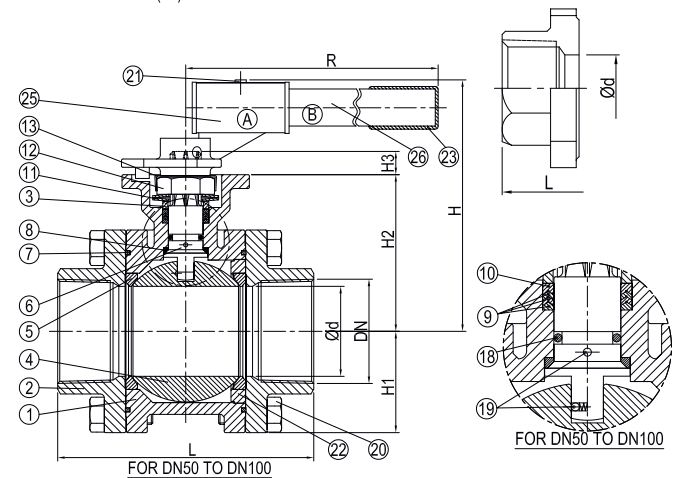
STANDARD & DESIGN:

Design Code: ASME B16.34
 Inspection Std.: API 598
 End Std.: ISO 228
 Face to Face Std.: -
 Top Flange: ISO 5211(DN8-DN100)
 Pressure rating: 2000 WOG(DN8-DN25)
 1500 WOG(DN32-DN50)
 1000 WOG(DN65-DN100)

VARIATIONS: Available as Fire safe version API 607 6th Edition Design. Various actuators. Other dimensions and materials on request.



No	Part	Material	Code
1	Body	Stainless Steel	CF8M
2	End Cap	Stainless Steel	CF8M
3	Gland	Stainless Steel	SS304
4	Ball	Stainless Steel	SS316
5	Seat	RTFE	-
6	Stem	Stainless Steel	SS316
7	Joint Gasket	PTFE	-
8	Stem Seal	RPTFE	-
9	Stem Packing	PTFE	-
10	Stem Packing	PTFE +25% Glass Fibre	-
11	Belleville Washer	Stainless Steel	SS301
12	Stem Nut	Stainless Steel	SS304
13	Lock Saddle	Stainless Steel	SS304
14	Stem Washer	Stainless Steel	SS304
15	Locking Device	Stainless Steel	SS304
16	Bolt	Stainless Steel	SS304
17	Bolt Nut	Stainless Steel	SS304
18	O-Ring	VITON	-
19	Antistatic Device	Stainless Steel	SS316
20	Bolt	Stainless Steel	SS304
21	Handle Screw	Stainless Steel	SS304
22	Seat Ring	Stainless Steel	CF8M
23	Handle Sleeve	VINYL	-
24	Handle	Stainless Steel	SS304
25	Handle-A	Stainless Steel	SS304
26	Handle-B	Stainless Steel	SS304



DN	Inch	L	H	H1	H2	H3	Ød	R	Kg
8	1/4	75	60	25.6	42.6	7.6	11.6	148	0.9
10	3/8	75	60	25.6	42.6	7.6	12.7	148	0.9
15	1/2	72.5	75	25.6	42.6	7.6	15	148	0.8
20	3/4	85.4	82	30.7	46.85	8.6	20	148	1.3
25	1	105.3	99	33.8	59.3	10.4	25	193	2.2
32	1 1/4	111	101	38.6	62.6	10.4	32	193	2.9
40	1 1/2	127.3	129	43.3	79	13.4	38	233	4.5
50	2	145	137	61.4	92.7	13.4	50	233	8.0
65	2 1/2	185	176	73.2	113.2	16.8	65	335	14.2
80	3	205	185	84.3	123.2	16.8	80	405	18.6
100	4	240	192	107	133.7	16.8	100	405	30.3