

DESCRIPTION: Angled type, grey cast iron body, metal seated screw down stop valve with rising stem, bolted bonnet. Flat face flanged.

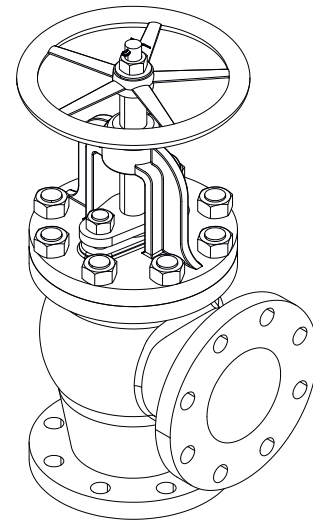
APPLICATION: Start/stop and throttling of: Sea water, water and oils etc.

STANDARD & DESIGN:

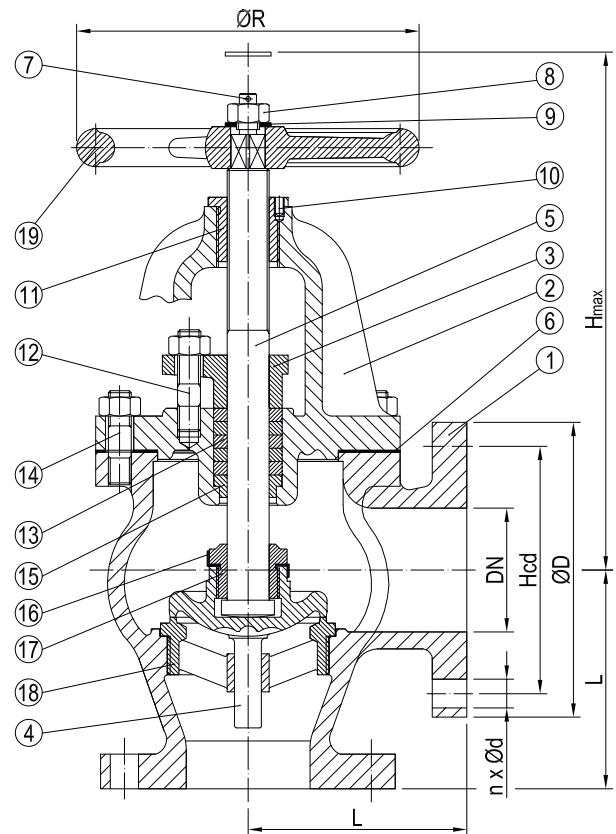
Design Code: JIS F7308
 Inspection Std.: JIS F7400
 End Std.: JIS B2220
 Face to Face Std.: -
 Flanges Drilled: JIS 10K(DN50-DN400)
 Pressure rating: JIS 10K(DN50-DN400)

VARIATIONS: Available with Stainless Steel (2Cr13) trim
 F-7308=Fixed Disc
 F-7376=SDNR

Other dimensions and materials on request.



No	Part	Material	Code
1	Body	Cast Iron	HT200
2	Bonnet	Cast Iron	HT200
3	Gland	Brass	H62
4	Disc	Bronze	ZCuSn5Pb5Zn5
5	Stem	Brass	H62
6	Gasket	Graphite	-
7	Split Pin	Carbon Steel	A3
8	Nut	Carbon Steel	Q235A
9	Gasket Ring	Carbon Steel	Q235A
10	Screw	Carbon Steel	Q235A
11	Screwed Bonnet Bush	Brass	H62
12	Double Open End Bolt	Carbon Steel	Q235A
13	Packing	Graphite	-
14	Double Open End Bolt	Carbon Steel	Q235A
15	Packing Seat	Brass	H62
16	Check Washer	Brass	H62
17	Disc Nut	Brass	H62
18	Sealing Ring	Bronze	ZCuSn5Pb5Zn5
19	Handwheel	Cast Iron	HT200



DN	n x ød	Hcd	øD	L	H _{max}	øR	Kg
50	4x19	120	155	120	255	160	18.2
65	4x19	140	175	130	270	200	25.4
80	8x19	150	185	140	275	200	27.4
100	8x19	175	210	160	315	250	40.6
125	8x23	210	250	180	360	280	69.9
150	8x23	240	280	205	405	315	81.0
200	12x23	290	330	213	475	355	125.0
250	12x25	355	400	290	570	450	211.0
300	16x25	400	445	320	645	500	-
350	16x25	445	490	360	710	560	-
400	16x27	510	560	420	790	630	-