

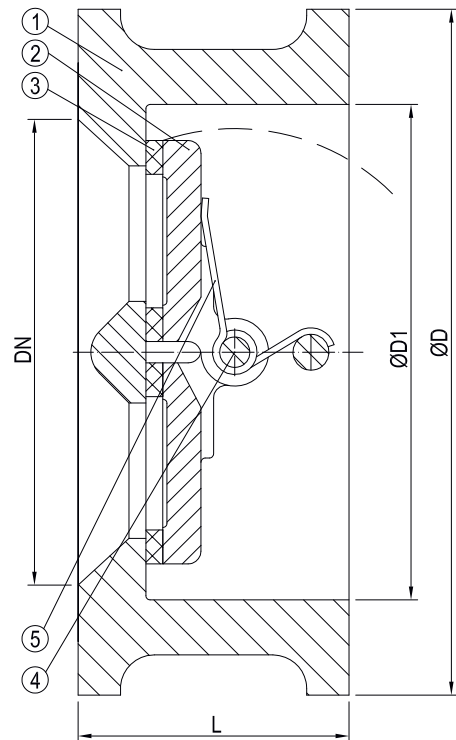
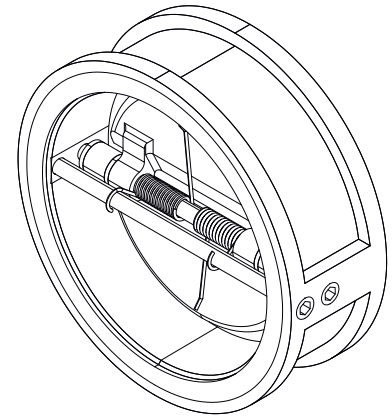
**DESCRIPTION:** Wafer type, AISI 316 equivalent body, spring tensioned dual check valve with NBR soft sealing AISI 316 plates.

**APPLICATION:** Preventing backflow in water, oil systems etc. Suitable when rapid flow reversal can occur, to prevent hammering.

**STANDARD & DESIGN:**

Design Code: -  
 Inspection Std.: ASME-B16.34/API-598  
 End Std.: -  
 Face to Face Std.: API-594  
 Pressure rating: ANSI 150(DN50-DN300)

**VARIATIONS:** Seat in EPDM or viton  
 Other materials and dimensions on request.



No	Part	Material	Code
1	Body	Stainless Steel	A351 CF8M
2	Disc	Stainless Steel	A351 CF8M
3	Seat	Viton	-
4	Stem	Stainless Steel	SS316
5	Spring	Stainless Steel	SUS316

DN	Inch	øD	øD1	L	Kg
50	2	105	60	60	2
65	2 1/2	124	73	67	3
80	3	137	89	73	4
100	4	175	114	73	6
125	5	197	141	86	7
150	6	222	168	98	10
200	8	279	219	127	20
250	10	340	274	146	32
300	12	410	324	181	49