

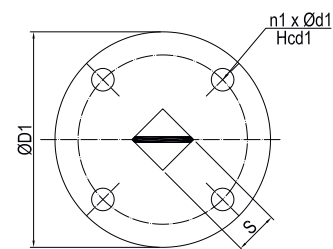
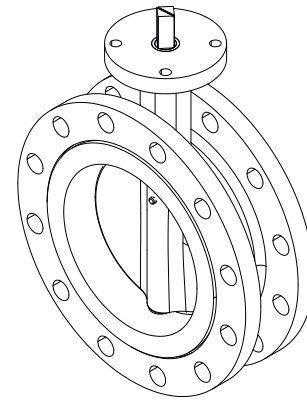
**DESCRIPTION:** Nodular cast iron body, vulcanized liner double flanged butterfly valve with ALBr disc. Centric free stem with standardized pattern for actuator mounting.

**APPLICATION:** Start/stop flow: Sea water, water etc.  
Suitable as sea direct.

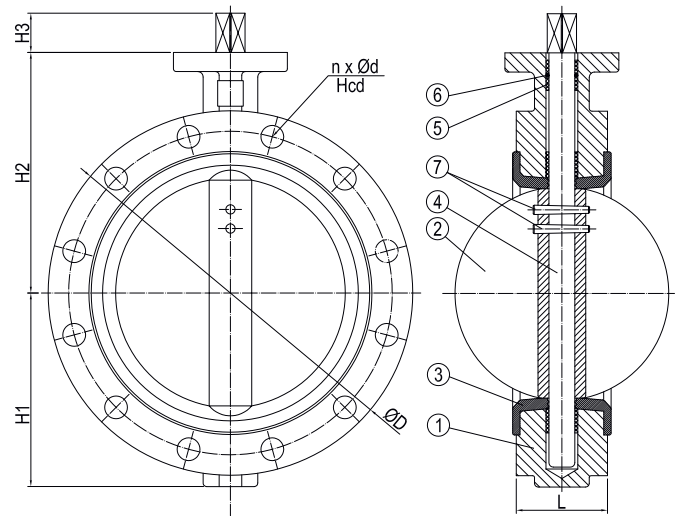
**STANDARD & DESIGN:**

Design Code: JIS F7480-1996  
 Inspection Std.: JIS F7400  
 End Std.: JIS 5K/10K  
 Face to Face Std.: JIS B2002  
 Flanges drilled: JIS 10K(DN50-DN550)  
 JIS 5K(DN50-DN550)  
 Pressure rating: JIS 10K(DN50-DN550)  
 JIS 5K(DN50-DN550)  
 Top flange: ISO 5211(DN50-DN550)

**VARIATIONS:** With handlever  
 Various actuators and gearboxes.  
 Other dimensions on request.



MOUNTING PAD



No	Part	Material	Code
1	Body	Nodular Cast Iron	GGG40.3
2	Disc	Al Bronze Alloy	-
3	Seat	NBR	-
4	Stem	Monel K500	-
5	Bushing	Brass	-
6	O-Ring	NBR	-
7	Pin	Monel K500	-

DN	JIS 5K		JIS 10K		øD	n1 x ød1	Hcd1	øD1	L	H1	H2	H3	S	Kg
	n x ød	Hcd	n x ød	Hcd										
50	4x15	105	4x19	120	155	4x7	50	90	40	80	110	32	9	6
65	4x15	130	4x19	140	175	4x7	50	90	40	87	125	32	11	8
80	4x19	145	8x19	150	185	4x9	70	90	60	90	138	32	14	12
100	8x19	165	8x19	175	210	4x9	70	90	60	105	153	32	14	13
125	8x19	200	8x23	210	250	4x9	70	90	100	125	169	32	14	18
150	8x19	230	8x23	240	280	4x9	70	90	100	140	182	32	17	19
200	8x23	280	12x23	290	330	4x9	70	90	100	165	215	40	17	37
250	12x23	345	12x25	355	400	4x11	102	125	110	200	264	40	22	43
300	12x23	390	16x25	400	445	4x11	102	125	110	220	284	45	22	52
350	12x25	435	16x25	445	490	4x17.5	140	175	120	245	324	45	27	70
400	16x25	495	16x27	510	560	4x17.5	140	175	130	280	370	45	27	93
450	16x25	555	20x27	565	620	4x22	165	210	150	310	393	55	36	132
500	20x25	605	20x27	620	675	4x22	165	210	160	337	428	55	36	182
550	20x27	665	20x33	680	745	4x22	165	210	170	372	466	55	36	225