

DESCRIPTION: Angled type, grey cast iron body, metal seated screw down stop valve with rising stem, bolted bonnet. Flat face flanged.

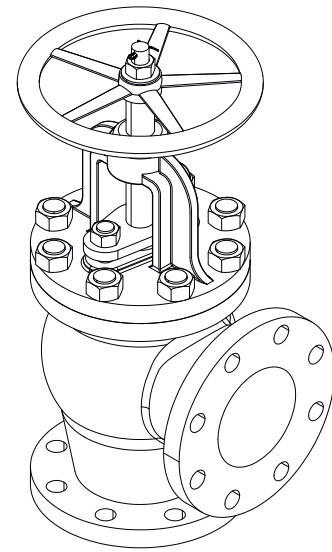
APPLICATION: Start/stop and throttling of: Sea water, water and oils etc.

STANDARD & DESIGN:

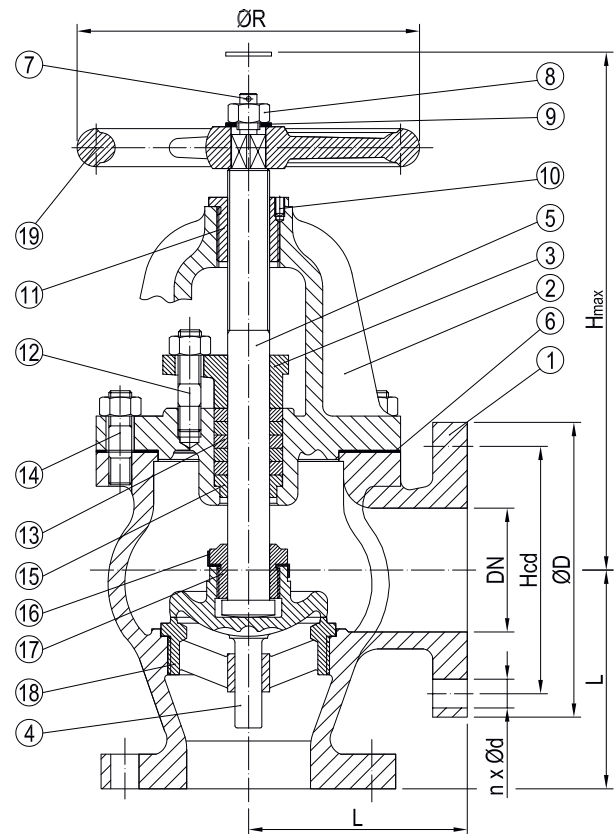
Design Code: JIS F7310
 Inspection Std.: JIS F7400
 End Std.: JIS B2220
 Face to Face Std.: -
 Flanges Drilled: JIS 16K(DN50-DN200)
 Pressure rating: JIS 16K(DN50-DN200)

VARIATIONS: Available with Stainless Steel (2Cr13) trim
 F-7310=Fixed Disc
 F-7378=SDNR

Other dimensions and materials on request.



No	Part	Material	Code
1	Body	Cast Iron	HT200
2	Bonnet	Cast Iron	HT200
3	Gland	Brass	H62
4	Disc	Bronze	ZCuSn5Pb5Zn5
5	Stem	Brass	H62
6	Gasket	Graphite	-
7	Split Pin	Carbon Steel	A3
8	Nut	Carbon Steel	Q235A
9	Gasket Ring	Carbon Steel	Q235A
10	Screw	Carbon Steel	Q235A
11	Screwed Bonnet Bush	Brass	H62
12	Double Open End Bolt	Carbon Steel	Q235A
13	Packing	Graphite	-
14	Double Open End Bolt	Carbon Steel	Q235A
15	Packing Seat	Brass	H62
16	Check Washer	Brass	H62
17	Disc Nut	Brass	H62
18	Sealing Ring	Bronze	ZCuSn5Pb5Zn5
19	Handwheel	Cast Iron	HT200



DN	n x ød	Hcd	øD	L	H _{max}	øR	Kg
50	8x19	120	155	120	255	160	18.0
65	8x19	140	175	130	270	200	25.0
80	8x23	160	200	150	295	224	35.7
100	8x23	185	225	170	330	250	49.2
125	8x25	225	270	200	390	315	76.1
150	12x25	260	305	225	435	355	103.0
200	12x25	305	350	250	540	450	155.0