

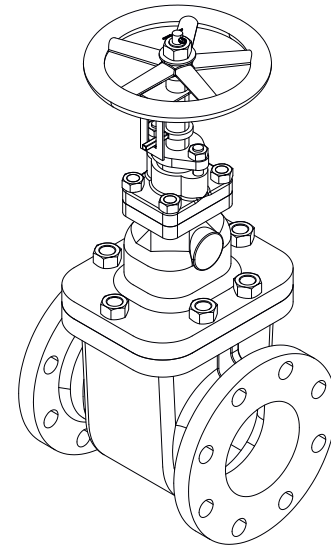
**DESCRIPTION:** Grey cast iron body gate valve, Rg5 seat rings. Non rising stem open/close indicator. Bolted bonnet. Flat face flanged.

**APPLICATION:** Start/stop flow with minimized pressure drop for air/gases, sea water, water, oils etc.

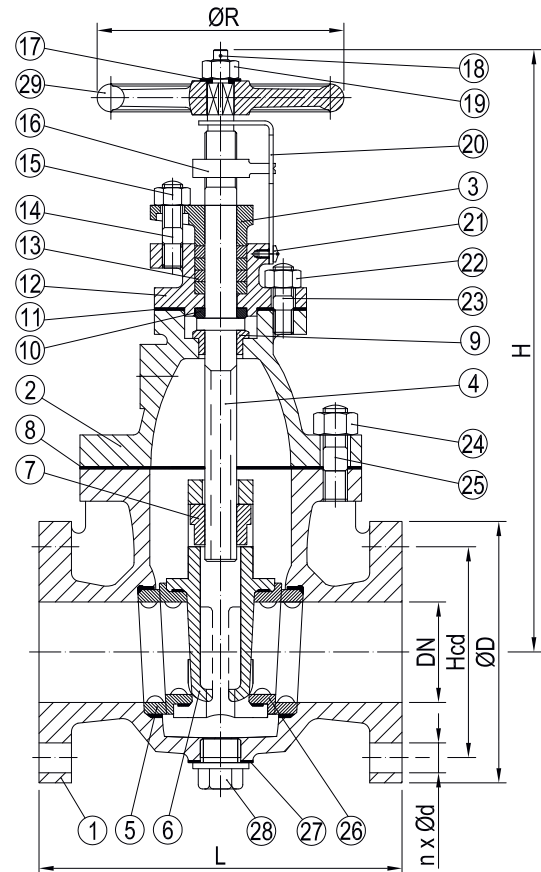
**STANDARD & DESIGN:**

Design Code: JIS F7364  
 Inspection Std.: JIS F7400  
 End Std.: JIS B2220  
 Face to Face Std.: -  
 Flanges drilled: JIS 10K(DN50-DN400)  
 Pressure rating: JIS 10K(DN50-DN400)

**VARIATIONS:** Available with stainless steel(2Cr13) trim.  
 Other dimensions and materials on request.



No	Part	Material	Code
1	Body	Cast Iron	HT 200
2	Bonnet	Cast Iron	HT 200
3	Gland	Brass	H62
4	Stem	Brass	H62
5	Sealing Ring	Bronze	ZCuSn5Pb5Zn5
6	Wedge	Cast Iron	HT 200
7	Square Nut	Brass	H62
8	Gasket	Graphite	-
9	Thrust Bush	Brass	H62
10	Thrust Pad	Brass	H62
11	Gasket	Graphite	-
12	Packing Box	Cast Iron	HT 200
13	Packing	Graphite	-
14	Double Open End Bolt	Carbon Steel	Q235A
15	Nut	Carbon Steel	Q235A
16	Staff	Brass	H62
17	Cushion	Carbon Steel	Q235A
18	Split Pin	Carbon Steel	A3
19	Nut	Carbon Steel	Q235A
20	Scale	Brass	H62
21	Screw	Carbon Steel	Q235A
22	Nut	Carbon Steel	Q235A
23	Double Open End Bolt	Carbon Steel	Q235A
24	Nut	Carbon Steel	Q235A
25	Double Open End Bolt	Carbon Steel	Q235A
26	Sealing Ring	Bronze	ZCuSn5Pb5Zn5
27	Gasket	Graphite	-
28	Plug	Brass	H62
29	Handwheel	Cast Iron	HT 200



DN	n x ød	Hcd	øD	L	H	øR	Kg
50	4x19	120	155	200	300	140	19.4
65	4x19	140	175	220	350	160	27.6
80	8x19	150	185	230	400	180	33.0
100	8x19	175	210	250	450	200	45.8
125	8x23	210	250	270	520	224	65.9
150	8x23	240	280	290	580	250	86.0
200	12x23	290	330	320	700	315	136.0
250	12x25	355	400	380	840	400	230.0
300	16x25	400	445	440	960	450	331.0
350	16x25	445	490	500	1050	500	-
400	16x27	510	560	590	1150	560	-