

- Designed for small quarter-turn applications. This actuator can also automate valves requiring up to 270-degrees rotation.
- Engineered to be lightweight and compact for greater versatility.
- The unique housing design allows various options to be installed without the additional cost of an external enclosure.
- 4-LED lights are located inside the high impact dome indicator. When the actuator reaches the full open or full close position, the dome lights will illuminate and allow added visibility over a greater distance or in low light areas.
- To help protect the components and extend the actuator's life, a 5-watt anti-condensation heater is included as standard.
- Included with the end of travel motor switches are two additional dry-contacts for auxiliary indication.
- A thermal protector is provided to protect the motor from over heating.
- The worm gear drive eliminates the possibility of back drive and the need for motor brakes.
- Designed for mounting in any orientation.
- In case of a power loss, the manual over-ride is provided for positioning the valve.
- 3 ISO mounting pads are provided for greater flexibility.



SA005/SA009

SA005L/SA009L



SA003

OPTIONS

		SA005/ SA009	SA005L/ SA009L
P . I . U	Potentiometer Unit (1K-Ohm)		•
C . P . T	Current Position Transmitter Output DC 4-20mA		•
P . C . U	Proportional Control Unit Input : DC 4-20mA, 2-10V, 1-5V Ourput : DC 4-20mA		•
L . C . U	Local Control Unit		•
R . B . P	Rechargeable Battery Pack		•

PERFORMANCE

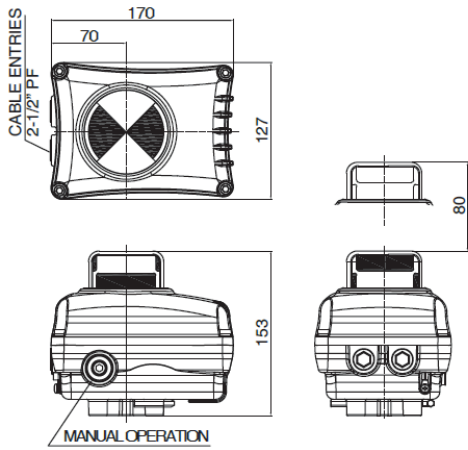
Model	Output Torque		Operating Time(90°)				Motor Class (W)				Rated Current(A)				Duty Cycle		No. of Handle Turns	Weight Kg		
			1 Phase (AC)		DC		1 Phase (AC)		DC		1 Phase (AC)		DC							
	Kg. m	N. m	60 Hz	50 Hz	12 V	24 V	24 V	110 V	220 V	12 V	24 V	24 V	110 V	220 V	12 V	24 V	S2 (min)	S4 (%)		
SA003	3	30	9sec (24V AC)	-	-	-	-	-	-	-	-	-	-	-	-	-	-	-	-	
			-	10	-	-	-	-	-	-	-	-	-	-	-	-	-	-	-	
			-	-	7	18	18	18	18	18	18	18	1	0.2	0.11	0.8	15	50	7.5	1.5
			12sec (110V AC)	-	-	-	-	-	-	-	-	-	-	-	-	-	-	-	-	-
SA005	5	50	12sec (220V AC)	-	-	-	-	-	-	-	-	-	-	-	-	-	-	-	-	
			14	17	11	10	15	6	6	6	15	1.8	0.35	0.23	3.2	1.8	15	50	6	2.8
SA005L	5	50	14	17	11	10	15	6	6	6	15	1.8	0.35	0.23	3.2	1.8	15	50	6	3.2
SA009	9	90	26	32	25	22	15	6	6	6	15	2.1	0.35	0.25	3.4	2.1	15	30	4.5	2.8
SA009L	9	90	26	32	25	22	15	6	6	6	15	2.1	0.35	0.25	3.4	2.1	15	30	4.5	3.2

STANDARD SPECIFICATION

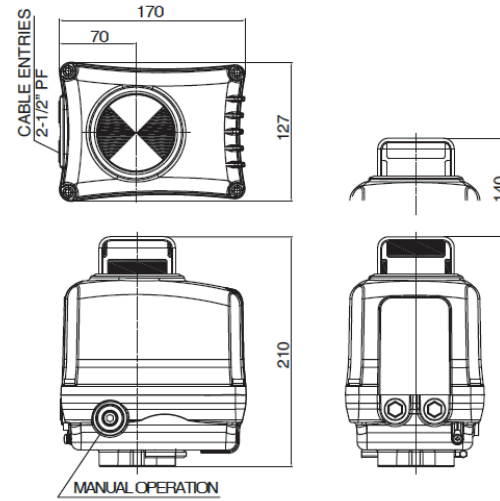
SA005/SA009	Indicator	Dome type (LED light inside)
	Ambient Temperature	-20°C to 70°C
	Limit Switches	2 Open/Close + Dry contact 2 Open/Close
	Manual operation	By L-wrench (6mm hexagon)
	Space heater	5W (110/230VAC, 24VDC)
	Lubrication	Shell Gadus S2 V220 2
	Surface treatment	Anodizing
	Enclosure	Weatherproof enclosure IP67 Nema 4 and 6
	Power supply	AC 110/230V 1PH ±10% 50/60Hz, DC24(AC24V)
	Travel angle	90°C ± 5° (Extention : upto 270°)
	Self locking	Provided by means of worm gearing
	Conduit entries	Two PF1/2" (Option : M20x1.5, NPT1/2")
	Consist of Materials	Steel, Aluminium alloy, Bronze
	External coating	Polyester (TGIC-free)
	SA003	Indicator
Ambient Temperature		-20°C to 70°C
Limit Switches		2 Open/Close + Dry contact 2 Open/Close
Manual operation		By L-wrench (6mm hexagon)
Space heater		2 x 1.5W
Lubrication		Shell Gadus S2 V220 2
Surface treatment		Anodizing
Enclosure		Weatherproof enclosure IP67 Nema 4 and 6
Power supply		AC 110/230V 1PH ±10% 50/60Hz, AC24V, DC12V, DC24V
Travel angle		90°C ± 5° (Extention : upto 270°)
Self locking		Provided by means of magnetic in motor
Conduit entries		1-PF1/2" (Option : 1-M20x1.5, 1-NPT1/2") Option: 2-PF1/2", 2-M20x1.5, 2-NPT1/2"
Consist of Materials	Aluminium alloy	
External coating	Polyester (TGIC-free)	

DIMENSIONS

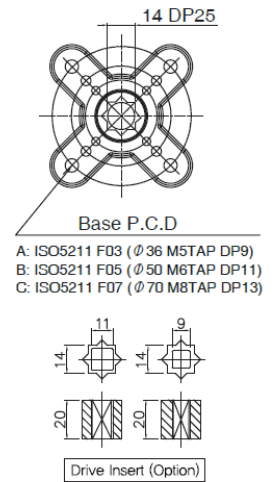
SA005, SA009



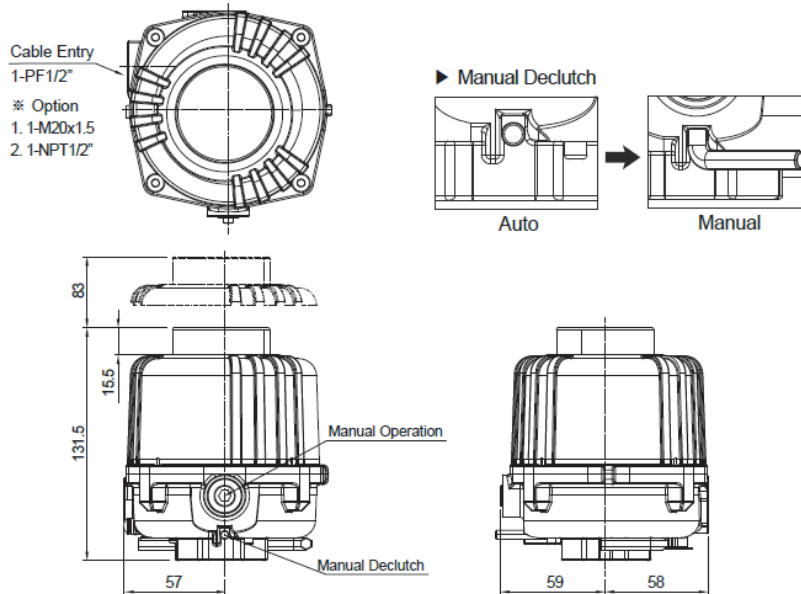
SA005L, SA009L



BASE (OPTION)



SA003



BASE

