

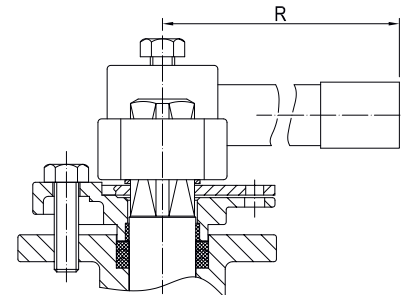
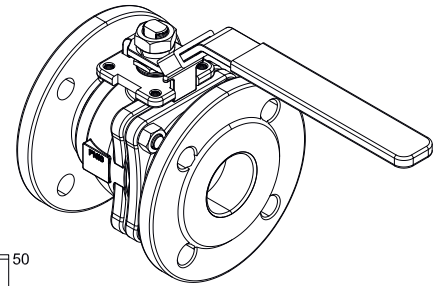
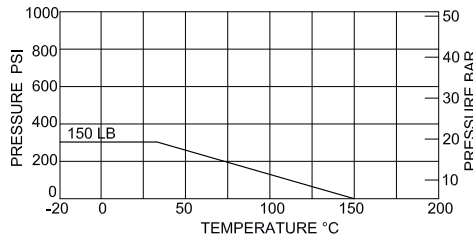
**DESCRIPTION:** Two piece, full bore, cast steel body ball valve with AISI 316 ball and PTFE seat ring. Raised face flanged.

**APPLICATION:** Start/stop flow of: Compressed air, gases and liquids. Typically also used for drain and vent purposes.

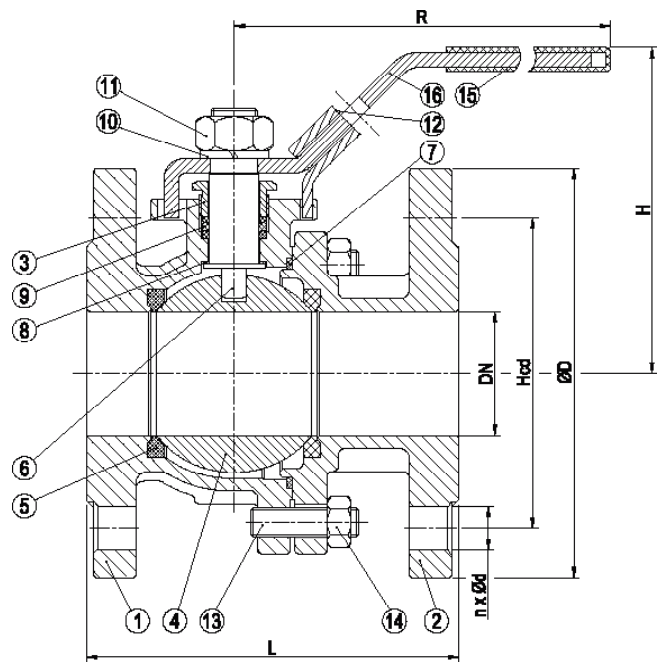
**STANDARD & DESIGN:**

Design Code: ASME B16.34  
 Inspection Std.: API 598  
 End Std.: ASME B16.5  
 Face to Face Std.: ASME B16.10  
 Top Flange: ISO 5211(DN15-DN300)  
 Flanges drilled: ANSI 150(DN15-DN300)  
 Pressure rating: ANSI 150(DN15-DN300)

**VARIATIONS:** Various actuators  
 Available as Fire Safe version.  
 Other dimensions and materials on request.  
 With direct mounting pad.



FOR DN125 TO DN300



No	Part	Material	Code
1	Body	Carbon Steel	WCB
2	Cap	Carbon Steel	WCB
3	Gland	Stainless Steel	SUS 304
4	Ball	Stainless Steel	CF8
5	Seat	PTFE	-
6	Stem	Stainless Steel	SUS 304
7	Bonnet Gasket	PTFE	-
8	Thrust Washer	PTFE	TFM4215
9	Packing	PTFE	-
10	Spring Washer	Stainless Steel	SUS 304
11	Stem Nut	Stainless Steel	SUS 304
12	Locking Device	Stainless Steel	SUS 304
13	Bolt	Carbon Steel	-
14	Nut	Carbon Steel	-
15	Handle Cover	Plastic	-
16	Handle	Stainless Steel	SUS304

DN	n x ød	Hcd	øD	L	H	R	Kg
15	4x16	60	89	108	76	153	1.5
20	4x16	69	98	117	78	153	2.1
25	4x16	80	108	127	92	188	2.9
32	4x16	89	117	140	95	188	3.5
40	4x16	98	127	165	126	245	5.5
50	4x19	121	152	178	132	245	8.4
65	4x19	140	178	190	166	288	13.0
80	4x19	152	190	203	176	288	16.4
100	8x19	190	229	229	190	388	28.3
125	8x22	216	254	356	224	750	46.0
150	8x22	241	279	394	247	750	63.6
200	8x22	298	343	457	305	1000	97.5
250	12x25	362	406	533	327	1000	196.5
300	12x25	431	483	610	355	1000	305.0