

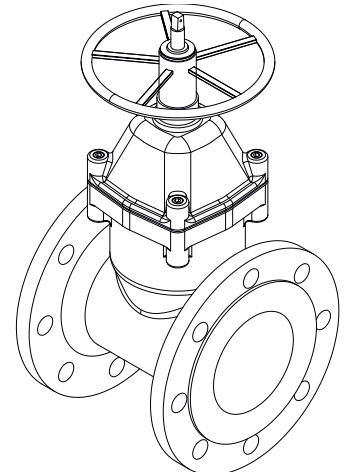
**DESCRIPTION:** Nodular cast iron body gate valve with EPDM coated wedge. Non rising stem and bolted bonnet. Raised face flanged. F4 short type.

**APPLICATION:** Approved for drinking water systems - Hygienic certificate.

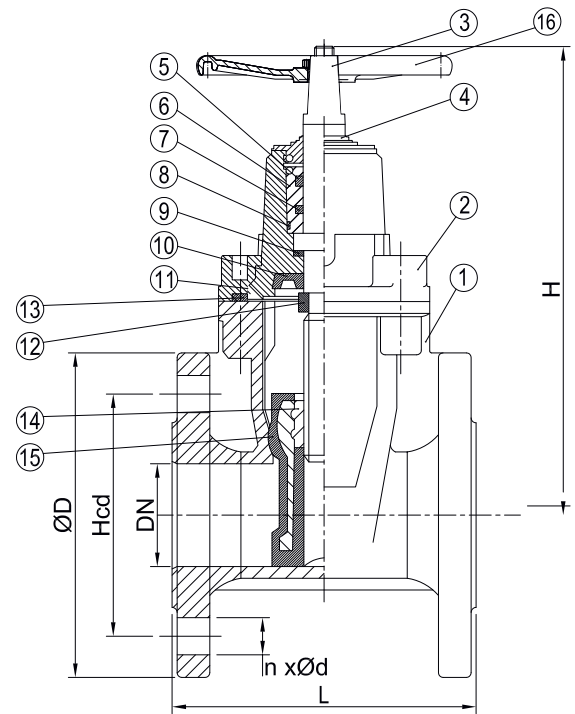
**STANDARD & DESIGN:**

Design Code: -  
 Inspection Std.: EN 12266-1  
 End Std.: EN 1092-2  
 Face to Face Std.: Series F4 acc. to DIN 3202  
 Flanges drilled: PN16 (DN40-DN150)  
 PN10(DN200-DN300)  
 Pressure rating: PN16 (DN40-DN150)  
 PN10 (DN200-DN300)

**VARIATIONS:** DN200-DN300 available PN16



No	Part	Material	Code
1	Body	Nodular Cast Iron	EN-GJS-500-7 5.3200
2	Cover	Nodular Cast Iron	EN-GJS-500-7 5.3200
3	Mandrel	Stainless steel	X20Cr13
4	Seal	EPDM	-
5	Protective Ring	Stainless steel	X5CrNi18-10
6	Screw Plug	Brass	CuZn39Pb1
7,8	O-ring	EPDM or NBR	-
9	Lower pad	Polyamide PA6	-
10	Lower Seal	EPDM or NBR	-
11	Cover Screw	Galvanised Steel	-
12	Retaining nut	Brass	CuZn39Pb1
13	Cover seal	EPDM lub/or NBR	-
14	Nut	Brass	CuZn39Pb1
15	Wedge	EPDM or NBR	-
16	Handweel	Cast Iron	-



DN	n x ød	Hcd	øD	L	H	Kg
40	4x19	110	150	140	220	9.2
50	4x19	125	165	150	235	10.7
65	4x19	145	185	170	270	15.4
80	8x19	160	200	180	290	17.2
100	8x19	180	220	190	330	22.0
125	8x19	210	250	200	365	28.0
150	8x23	240	285	210	400	33.3
200	8x23	295	340	230	490	60.0
250	12x23	350	395	250	580	98.0
300	12x23	400	445	270	655	125.0