

DESCRIPTION: Y-type, AISI 316 equivalent body strainer with AISI 316 strainer basket. Raised face flanged.

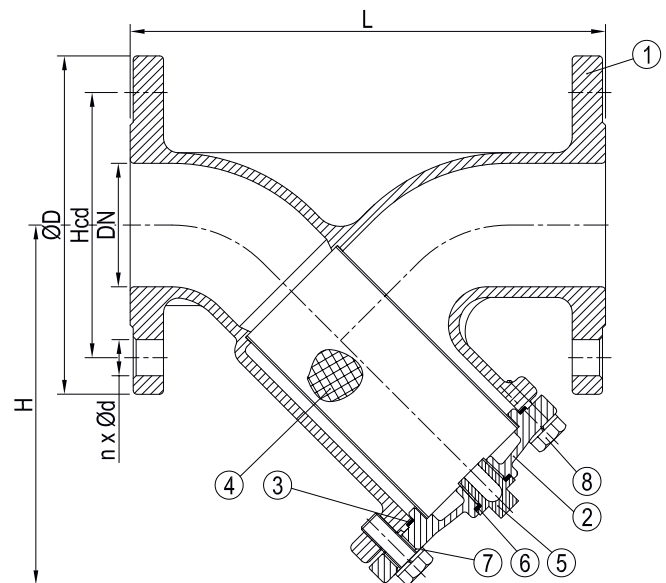
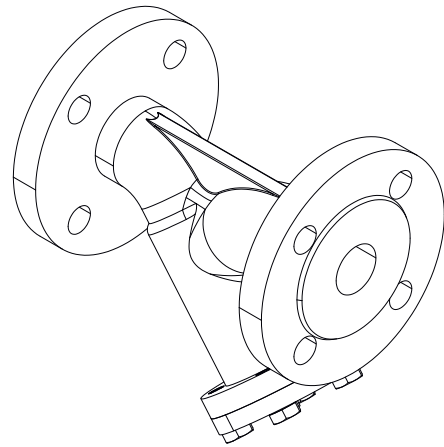
APPLICATION: Filtering of water, oils, process liquids in general etc.

STANDARD & DESIGN:

Design Code: ASME B16.34
 Inspection Std.: API 598
 End Std.: ASME B16.5
 Face to Face Std.: ASME B16.10
 Flanges Drilled: ANSI 300 (DN15-DN300)
 Pressure rating: ANSI 300 (DN15-DN300)

VARIATIONS:

Other mesh sizes.
 Other materials on request.



No	Part	Material	Code
1	Body	Stainless Steel	CF8M
2	Cap	Stainless Steel	CF8M
3	Gasket	PTFE	-
4	Screen	Stainless Steel	SUS 316
5	Stopper	Stainless Steel	CF8M
6	Gasket	PTFE	-
7	Spring Washers	Stainless Steel	SUS 304
8	Bonnet Bolt	Stainless Steel	SUS 304

DN	n x ød	Hcd	øD	L	H	Kg
15	4x16	67	95	140	85	2.3
20	4x19	83	117	152	87	2.8
25	4x19	80	124	165	114	3.9
32	4x19	98	133	178	114	5.3
40	4x22	121	156	190	135	6.3
50	8x19	140	165	216	155	8.3
65	8x22	152	190	241	189	11.8
80	8x22	190	210	283	200	15.6
100	8x22	241	254	305	232	21.0
150	12x22	298	318	403	326	41.0
200	12x25	295	381	502	397	73.4
250	16x29	387	444	568	512	128.0
300	16x32	450	521	648	562	184.0