

SWING CHECK VALVE

WAFER TYPE

305092
PN16/PN10

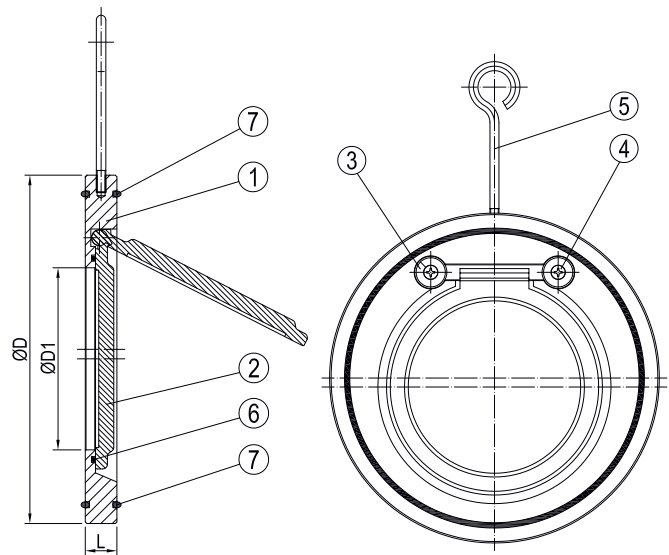
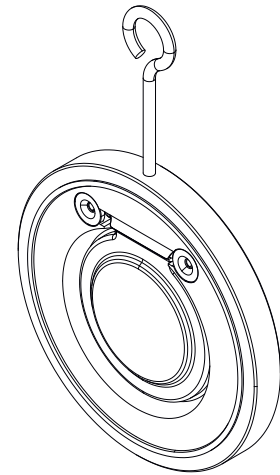
DESCRIPTION: Wafer type AISI 316 body swing check valve with NBR soft sealing.

APPLICATION: Preventing backflow in water, oil systems etc.

STANDARD & DESIGN:

Design Code: -
 Inspection Std.: -
 End Std.: BS4504 PN16 & BS4504 PN10 (DN32-DN500)
 Face to Face Std.: -
 Pressure rating: PN16(DN32-DN150)
 PN10(DN200-DN500)

VARIATIONS: Available with: metal, PTFE, Viton and EPDM seals.
 With spring
 DN200-DN500 as PN16



No	Part	Material	Code
1	Body	Stainless Steel	SS 316
2	Disc	Stainless Steel	CF8M
3	Cover	Stainless Steel	SS 316
4	Screw	Stainless Steel	SS 316
5	Eye Bolt	Stainless Steel	SS 316
6	O-Ring	NBR	-
7	O-Ring	NBR	-

DN	øD	L	øD1	Kg
32	84	14	19	0,8
40	94	14	22	0,9
50	109	14	32	1,0
65	129	14	40	1,2
80	144	14	58	1,5
100	164	18	70	2,5
125	194	18	92	3,3
150	220	20	115	4,7
200	275	22	158	7,8
250	330	26	200	13,0
300	380	32	227	19,0
350	440	38	270	34,0
400	493	44	311	46,0
450	543	50	361	63,0
500	598	56	405	88,0