

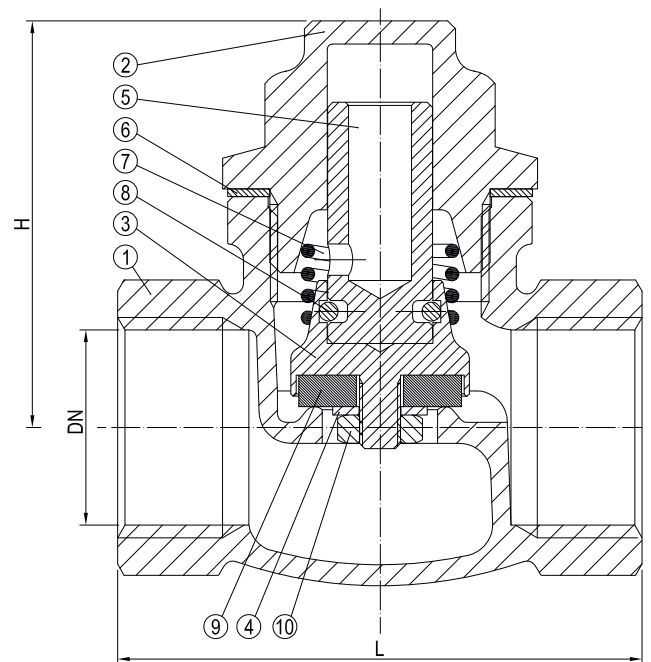
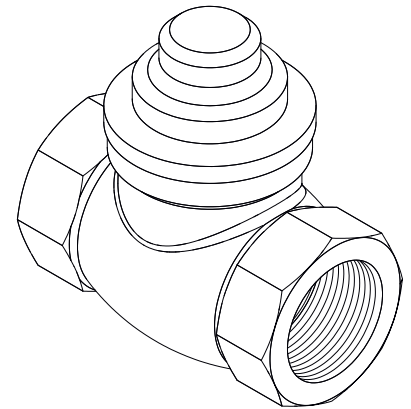
**DESCRIPTION:** Straight type, Rg5 body, PTFE soft sealing lift check valve. BSPP female thread.

**APPLICATION:** Preventing backflow in air, steam, water, sea water and oil systems etc. Suitable when rapid flow reversal can occur, to prevent hammering.

**STANDARD & DESIGN:**

Design Code: -  
 Inspection Std.: EN12516-3  
 End Std.: UNI ISO 228-1:2003  
 Face to Face Std.: -  
 Pressure rating: PN16(DN10-DN50)  
 Temperature Range: -10°C to 180°C

**VARIATIONS:** With metal seat.



No	Part	Material	Code
1	Body	Bronze	CC931 K
2	Bonnet	Brass	CW614-N
3	Disc	Brass	CW614-N
4	Washer	PTFE	-
5	Stem	Brass	CW614-N
6	Bonnet Gasket	Asbestos Free	SIL C4400
7	Spring	Stainless Steel	-
8	Fixing Ring	Steel	-
9	Gasket	PTFE	-
10	Stem Nut	Brass	CW614-N

DN	Inch	L	H	Kg
10	3/8	45	38	0,2
15	1/2	50	39	0.2
20	3/4	61.5	48	0.3
25	1	71	53	0.5
32	1 1/4	85	56	0.8
40	1 1/2	90	63	1.0
50	2	110	72	1.5