

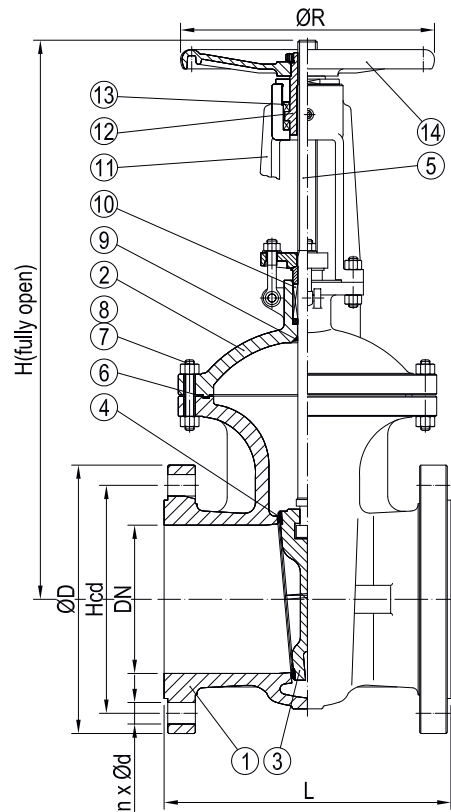
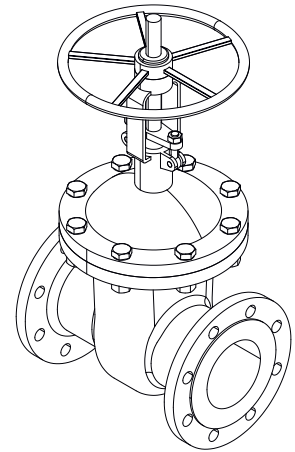
DESCRIPTION: Cast steel body gate valve with stellite coated steel wedge and stellite coated seat. Rising stem and bolted bonnet. Raised face flanged.

APPLICATION: Start/stop flow with minimized pressure drop for water, steam, oils and aggressive media etc.

STANDARD & DESIGN:

Design Code: API 600
 Inspection Std.: API 598
 End Std.: ASME B16.5
 Face to Face Std.: ASME B16.10
 Flanges drilled: ANSI 150(DN50-DN600)
 Pressure rating: ANSI 150(DN50-DN600)

VARIATIONS: Other dimensions and materials on request.



No	Part	Material	Code
1	Body	Cast Steel	ASTM A216-WCB
2	Bonnet	Cast Steel	ASTM A216-WCB
3	Wedge	Cast Steel	ASTM A216-WCB
4	Seat	Forged Steel	ASTM A105
5	Stem	Stainless Steel	ASTM A182-F6a
6	Bonnet Gasket	Graphite	-
7	Stud Bolt	Steel	ASTM A193 Gr.B7
8	Nut	Steel	ASTM A194 Gr.2H
9	Back Seat Bushing	Stainless Steel	ASTM A276-420
10	Packing	Graphite	-
11	Yoke	Cast Steel	ASTM A216-WCB
12	Stem Nut	Al-Bronze alloy	-
13	Axle tree	Steel	E51100
14	Handwheel	Cast Iron	-

DN	n x ød	Hcd	øD	L	H	øR	Kg
50	4x19	121	150	178	323	200	18
65	4x19	140	180	191	347	250	28
80	4x19	152	190	203	383	250	30
100	8x19	190	230	229	457	300	50
125	8x22	216	255	254	632	300	63
150	8x22	241	280	267	635	350	85
200	8x22	298	345	292	762	350	128
250	12x26	362	405	330	895	400	220
300	12x26	431	485	356	1080	500	310
350	12x29	476	535	381	1295	600	450
400	16x29	540	595	406	1435	600	550
450	16x32	578	635	432	1626	650	700
500	20x32	635	700	457	1829	650	910
600	20x35	749	815	508	2175	700	1130