

SANDERMARINE

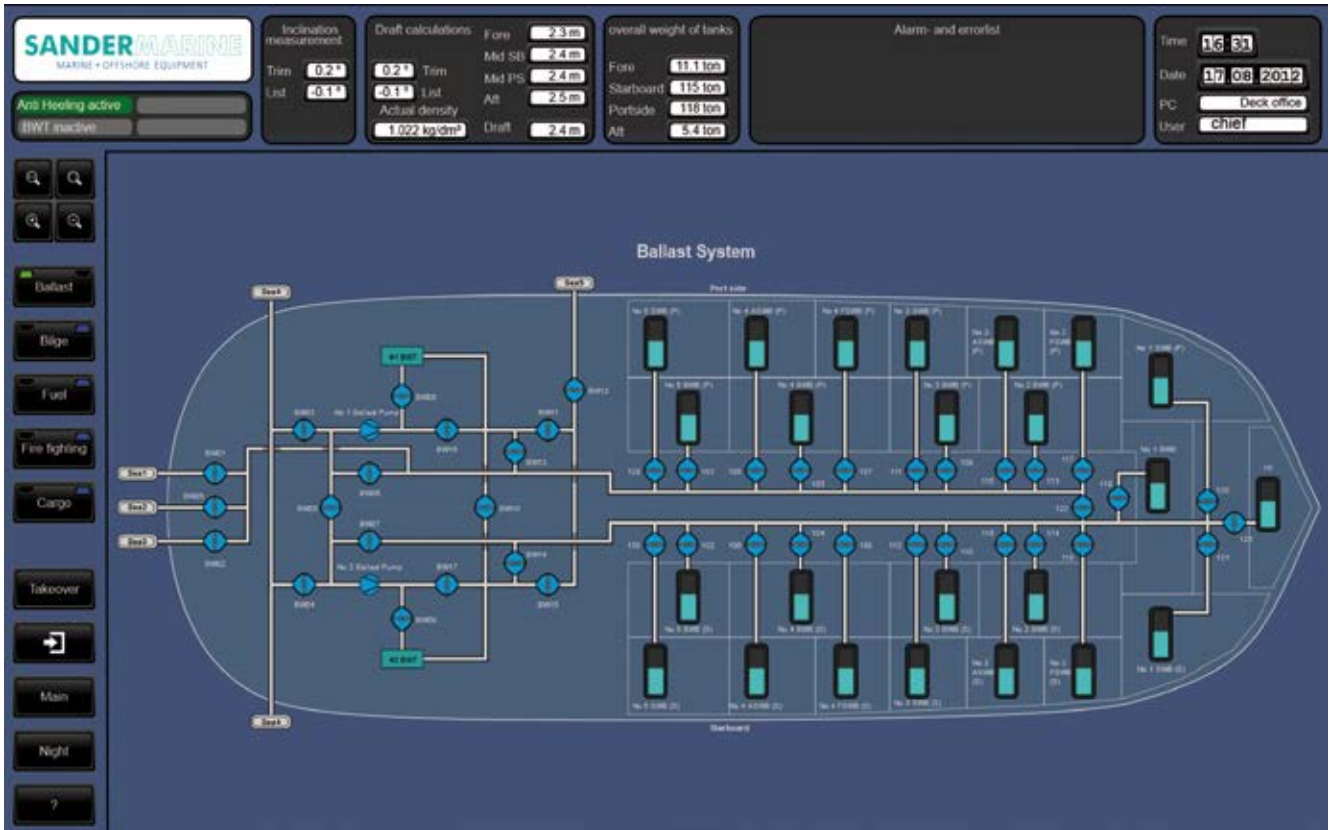
MARINE + OFFSHORE EQUIPMENT

SANDERNAVY

NAVAL EQUIPMENT

SANVISU OPERATOR INTERFACE





Your choice: SANVISU visualization system with keyboard and mouse or with touchscreen

SANVISU – MONITOR. CONTROL. MANAGE.

The SANVISU visualization system combines SANDER automation expertise with our supervisory control software developed in-house.

With the SANVISU operator interface you control and manage any SANSYS operation at any time. Zoom in on any region you like to visualize whatever detail – on one monitor.

FIVE GOOD REASONS TO EXTEND YOUR SANDER AUTOMATION AND CONTROL SYSTEM WITH SANVISU VISUALIZATION:

- All parameters that need to be controlled are visualized on one monitor. This makes the unattended operation of machinery spaces on board safe and efficient.
- Rapid and user-friendly navigation saves time and gives operators a clear and quick view into the system status during operation.
- SANVISU performs to your precise and individual functional specifications.
- Just one contact for your individual solution: From the initial vision to one-on-one start-up training – our team of experienced engineers will be at your side.
- Clear visualization in case of rough seas and fluctuating light conditions makes SANVISU operator interface a highly reliable partner in any situation.

UPGRADE YOUR AUTOMATION SYSTEM. START MANAGING MORE EFFICIENTLY NOW.

MORE FEATURES TO BENEFIT FROM:

Help Symbol Icon:

Click to find a supporting text for every window.

Maintenance Symbol Icon:

Click to get a detailed instruction manual as well as a list of parts for valves, pumps, sensors and level switches.

Clipboard Symbol Icon:

Click to get detailed product information such as data sheet and engineering drawings/blueprints.

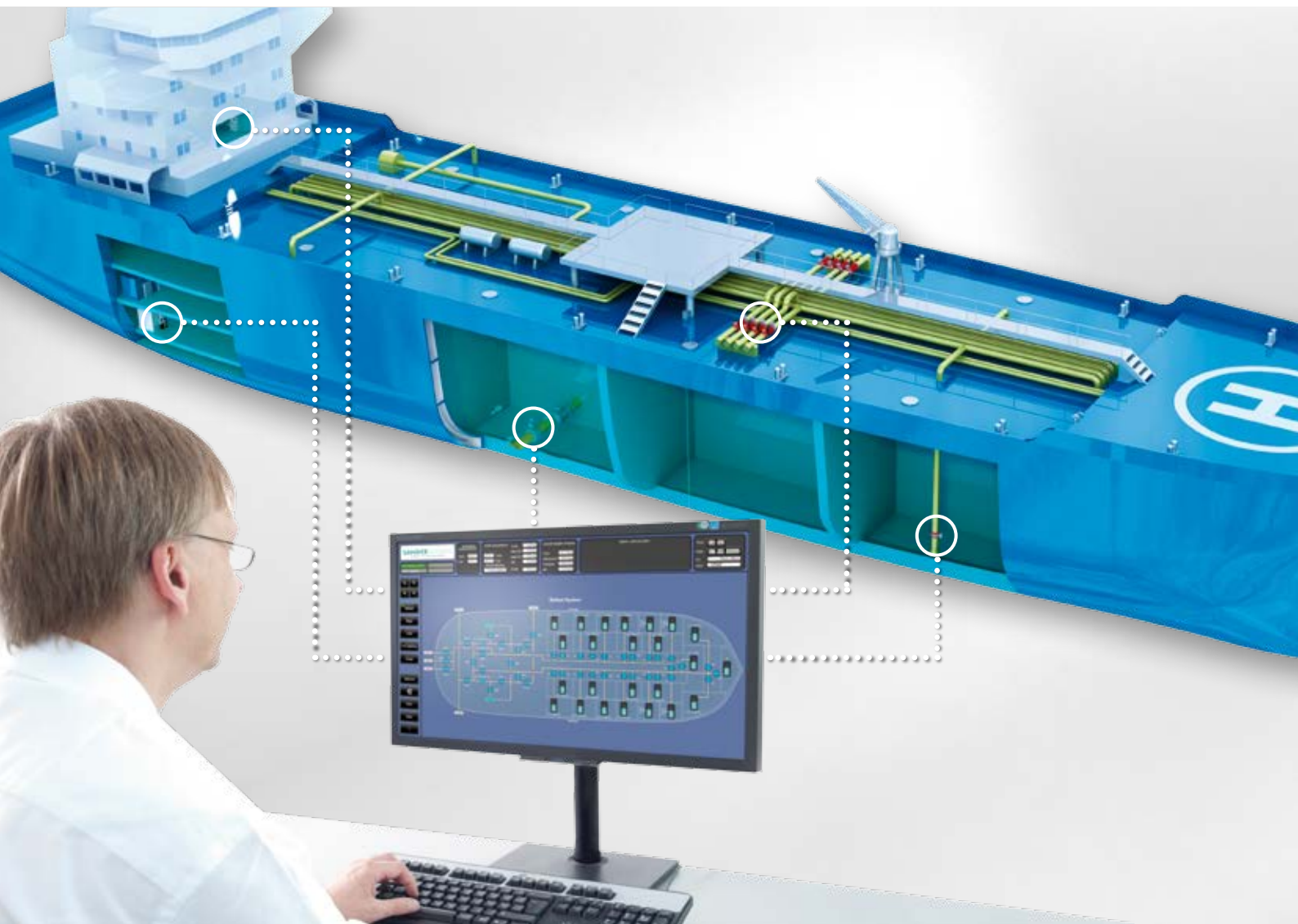
Flexible User Administration: Access authorization can be varied.

Error Management:

In case of error not only an error code is displayed but also a proposal for solution.

Flexible Commissioning:

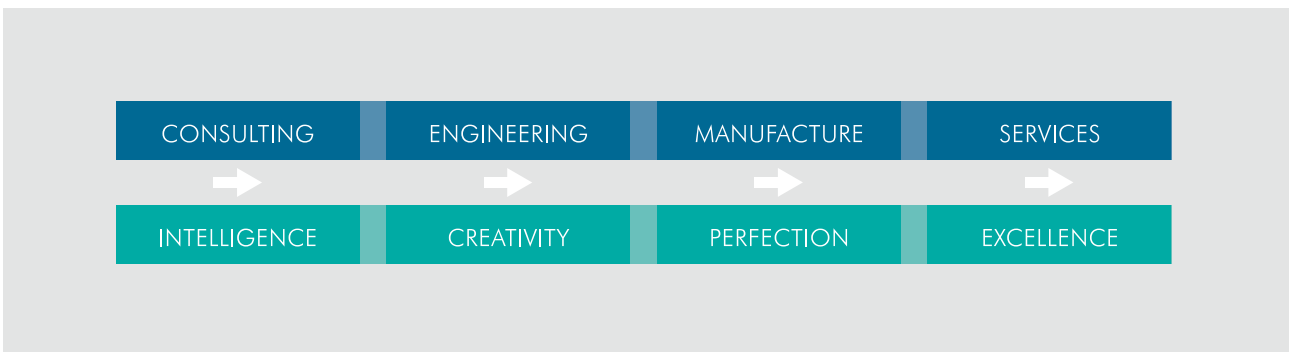
Parameters for the automation can be adjusted during commissioning.



AGENTS AND HEADQUARTERS



BUSINESS ACTIVITIES



SANDER ENGINEERING. SOLUTIONS THAT WORK.

No matter how big or complex your liquid and gas management project, SANDER provides turnkey, computer-controlled and completely automated solutions, construction and installation services for the entire equipment we manufacture and provide. Our staff is committed to satisfying our clients' most exacting requirements.

WE BUILD MORE THAN INTELLIGENT AUTOMATION SYSTEMS – WE BUILD RELATIONSHIPS.

SANDERMARINE
MARINE + OFFSHORE EQUIPMENT

E-mail: sales@sander-marine.com
www.sander-marine.com

SANDERNAVY
NAVAL EQUIPMENT

E-mail: sales@sander-navy.com
www.sander-navy.com

Wilhelm Sander Fertigung GmbH · Zum Panrepel 41 · 28307 Bremen · Germany
Phone: +49 (0) 421 48603-0 · Fax: +49 (0) 421 48603-89