

DESCRIPTION: Straight type, Rg5 body, metal seated screw down stop valve with rising stem, screwed and secured bonnet. Flat face flanged.

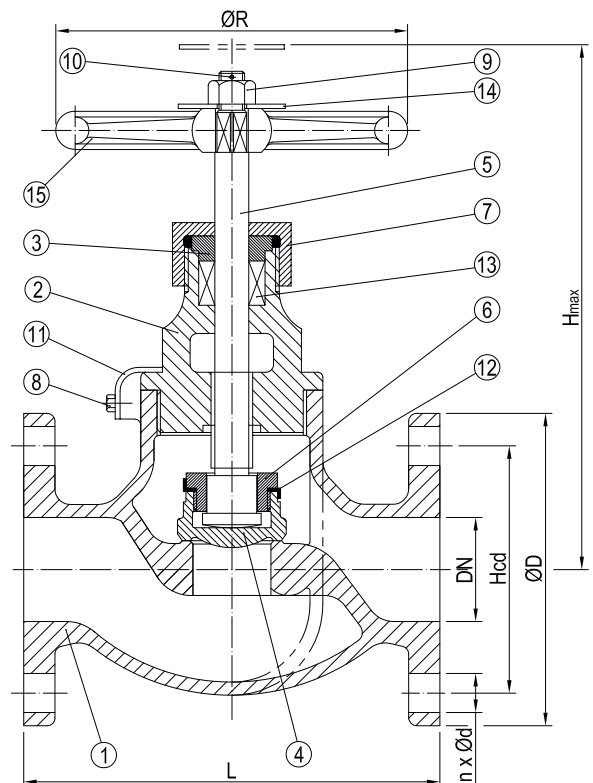
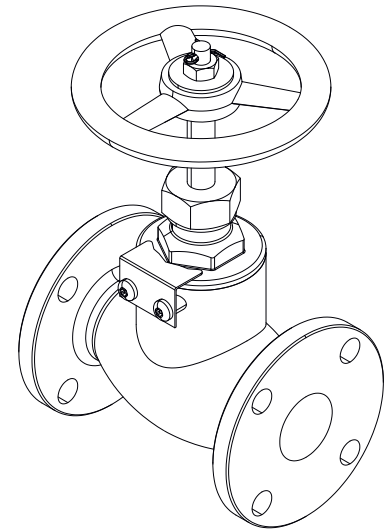
APPLICATION: Start/stop and throttling of: Sea water, water and oils etc.

STANDARD & DESIGN:

Design Code: JIS F7303
 Inspection Std.: JIS F7400
 End Std.: JIS B2240
 Face to Face Std.: -
 Pressure rating: JIS 16K(DN15-DN40)

VARIATIONS: F-7303=Fixed Disc
 F-7409=SDNR

Other dimensions and materials on request.



No	Part	Material	Code
1	Body	Bronze	BC 6
2	Bonnet	Brass	C3771 BE
3	Gland	Brass	C3771 BE
4	Disc	Brass	C3771 BE
5	Stem	Brass	C3771 BE
6	Disc Nut	Brass	C3771 BE
7	Gland Nut	Brass	C3771 BE
8	Machine Screw	Stainless Steel	SUS 304
9	Hexagonal Nut	Stainless Steel	SUS 304
10	Split Pin	Brass	C2600 W
11	Lock Plate	Brass	C2600 P
12	Disc Lock Washer	Brass	C2600 P
13	Packing	Graphite	-
14	Name Plate	Aluminium	Al
15	Handwheel	Cast Iron	FC 200

DN	n x ød	Hcd	øD	L	H _{max}	øR	Kg
15	4x15	70	95	110	130	80	2.8
20	4x15	75	100	120	140	100	3.7
25	4x19	90	125	130	160	125	5.2
32	4x19	100	135	160	170	125	6.9
40	4x19	105	140	180	190	140	8.4