

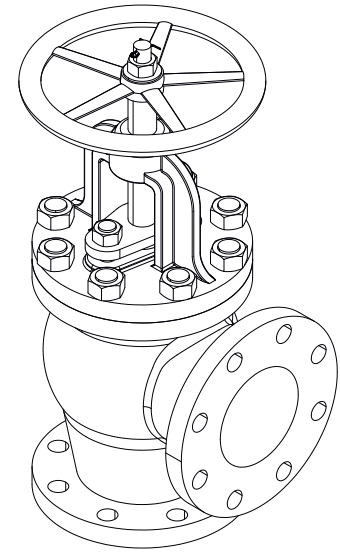
**DESCRIPTION:** Angled type, cast steel body, metal seated screw down stop valve with rising stem, bolted bonnet. Flat face flanged.

**APPLICATION:** Start/stop and throttling of: Sea water (with Rg5 trim), water, steam and oils etc.

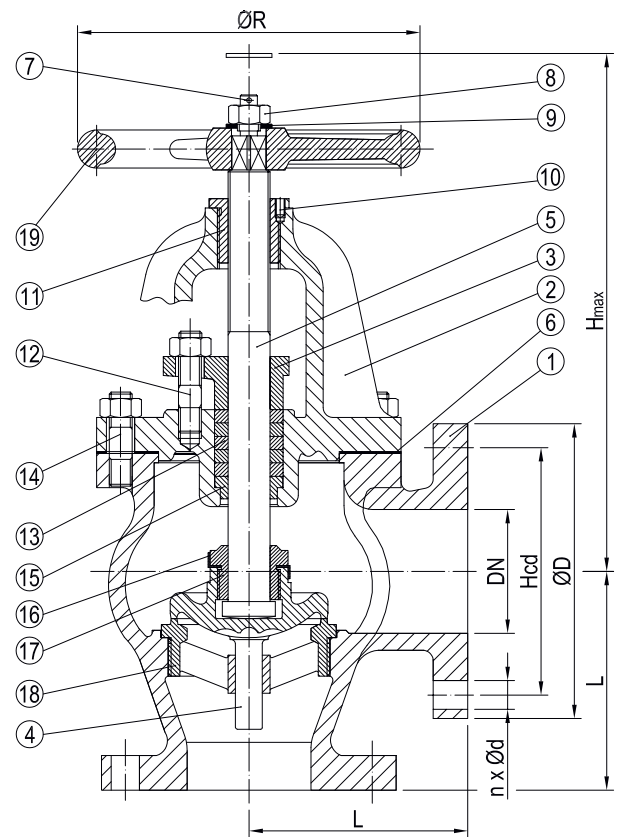
**STANDARD & DESIGN:**

Design Code: JIS F7312  
 Inspection Std.: JIS F7400  
 End Std.: JIS B2220  
 Face to Face Std.: -  
 Flanges Drilled: JIS 5K(DN50-DN300)  
 Pressure rating: JIS 5K(DN50-DN300)

**VARIATIONS:** Other dimensions and materials on request.  
 Available with Rg5 trim for sea water application.



No	Part	Material	Code
1	Body	Cast Steel	ZG230-450
2	Bonnet	Cast Steel	ZG230-450
3	Gland	Stainless Steel	2Cr13
4	Disc	Stainless Steel	2Cr13
5	Stem	Stainless Steel	2Cr13
6	Gasket	Graphite	-
7	Split Pin	Carbon Steel	A3
8	Nut	Carbon Steel	Q235A
9	Gasket Ring	Carbon Steel	Q235A
10	Screw	Carbon Steel	Q235A
11	Screwed Bonnet Bush	Brass	H62
12	Double Open End Bolt	Carbon Steel	Q235A
13	Packing	Graphite	-
14	Double Open End Bolt	Carbon Steel	Q235A
15	Packing Seat	Brass	H62
16	Check Washer	Brass	H62
17	Disc Nut	Brass	H62
18	Sealing Ring	Stainless Steel	2Cr13
19	Handwheel	Cast Iron	HT200



DN	n x ød	Hcd	øD	L	H <sub>max</sub>	øR	Kg
50	4x15	105	130	100	240	160	12.9
65	4x15	130	155	115	255	180	18.2
80	4x19	145	180	130	265	180	23.4
100	8x19	165	200	150	310	224	33.7
125	8x19	200	235	170	330	250	46.2
150	8x19	230	265	190	380	280	63.4
200	8x23	280	320	220	450	315	105.0
250	12x23	345	385	275	645	355	178.0
300	12x23	390	430	310	750	400	275.0