

**DESCRIPTION:** Nodular cast iron body, vulcanized liner wafer type butterfly valve with Al Bronze disc. Centric free stem with standardized pattern for actuator mounting.

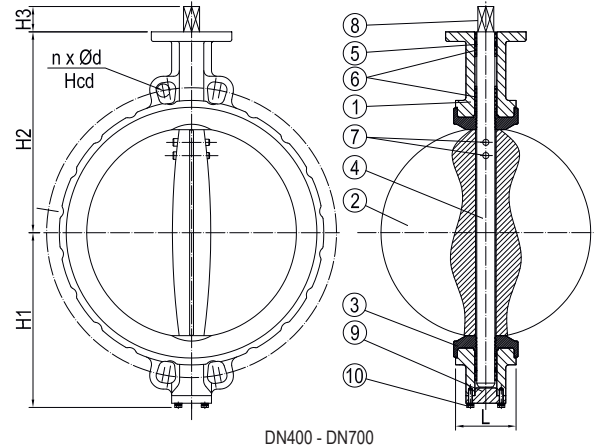
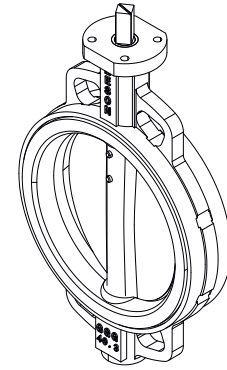
**APPLICATION:** Start/stop of flow: Sea water, water etc.

**STANDARD & DESIGN:**

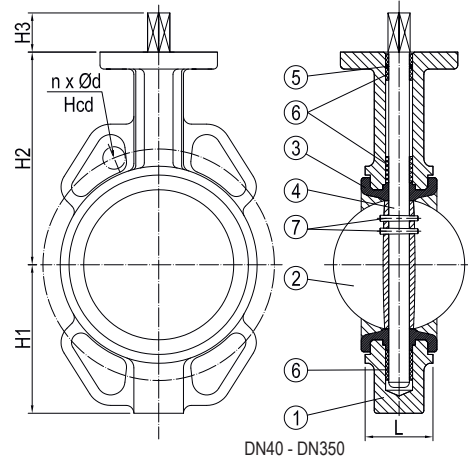
Design Code: API 609  
 Inspection Std.: API 598  
 End Std.: DIN 2501 PN16  
 DIN 2501 PN10  
 Face to Face Std.: ISO 5752-SERIES 20  
 Flanges drilled: PN16 (DN40-DN200)  
 PN10 (DN250-DN700)  
 Pressure rating: PN16 (DN40-DN200)  
 PN10 (DN250-DN700)  
 Top Flange: ISO 5211 (DN40-DN700)

**VARIATIONS:** With handlever  
 Various actuators and gearboxes  
 DN200-600 available as PN16  
 Other dimensions on request.  
 Available with GGG body.  
 EPDM max work temp 110°C (701702/701701)  
 Viton max work temp 170°C (702702/702701)

Meson wafer type butterfly valve is multi-flanged and suits normally for DIN PN10-16, JIS 5-10K and ANSI-150. Exceptions are DN40-5K and DN600-10K.



DN400 - DN700



DN40 - DN350

No	Part	Material	Code
1	Body	Nodular Cast Iron	GGG40.3
2	Disc	Al Bronze Alloy	-
3	Seat	NBR max work temp 80°C	-
4	Stem	Stainless Steel	SS 431
5	O-Ring	NBR	-
6	Bushing	Brass	-
7	Pin	Duplex 2507	-
8	Key	-	-
9	Cover	Cast Iron	GGG40.3
10	Bolts and Accessories	Stainless Steel	SS 316

DN	n x Ød	Hcd	L	H1	H2	H3	Kg
40	4x18	110	33	73	105	32	2.4
50	4x18	125	43	85	130	32	2.5
65	4x18	145	46	94	140	32	3.2
80	8x18	160	46	105	145	32	3.6
100	8x18	180	52	126	160	32	4.9
125	8x18	210	56	140	170	32	7.0
150	8x22	240	56	151	190	32	7.8
200	12x22	295	60	183	220	40	13.2
250	12x22	350	68	208	260	40	19.2
300	12x22	400	78	252	290	45	32.5
350	16x22	460	78	285	320	45	41.3
400	16x26	515	102	315	356	45	61.0
450	20x26	565	114	380	387	55	79.0
500	20x26	620	127	390	424	55	128.0
600	20x30	725	154	455	524	80	188.0
700	24x30	840	165	530	600	80	-