

DESCRIPTION: Y-type, AISI 316 equivalent body strainer with AISI 316 strainer basket. Raised face flanged.

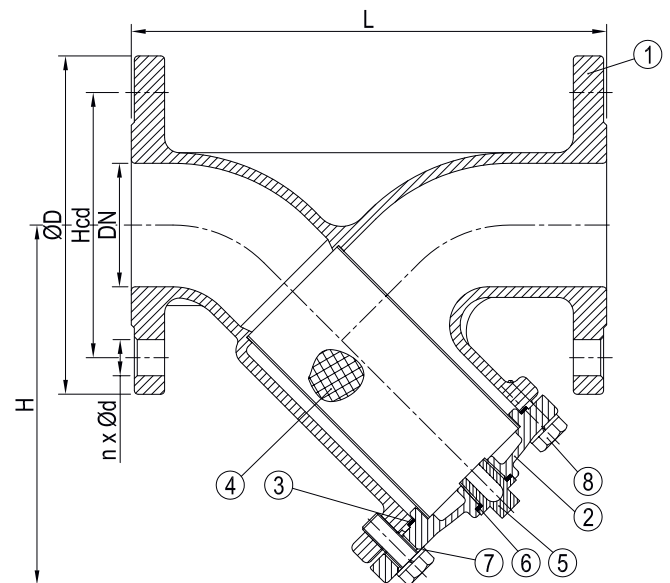
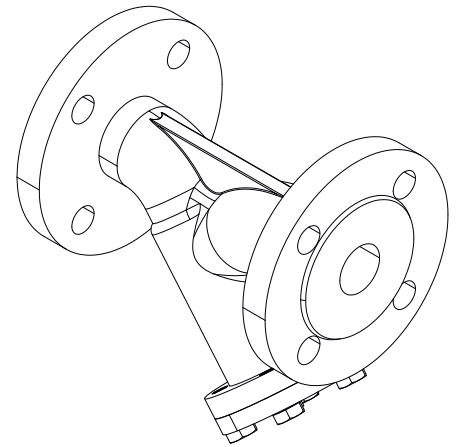
APPLICATION: Filtering of water, oils, process liquids in general etc.

STANDARD & DESIGN:

Design Code: ASME B16.34
 Inspection Std.: API 598
 End Std.: ASME B16.5
 Face to Face Std.: ASME B16.10
 Flanges Drilled: ANSI 150 (DN15-DN300)
 Pressure rating: ANSI 150 (DN15-DN300)

VARIATIONS:

Other mesh sizes.
 Other materials on request.



No	Part	Material	Code
1	Body	Stainless Steel	CF8M
2	Cap	Stainless Steel	CF8M
3	Gasket	PTFE	-
4	Screen	Stainless Steel	SUS 316
5	Stopper	Stainless Steel	CF8M
6	Gasket	PTFE	-
7	Spring Washers	Stainless Steel	SUS 304
8	Bonnet Bolt	Stainless Steel	SUS 304

DN	n x ød	Hcd	øD	L	H	Kg
15	4x16	60	89	108	85	2.3
20	4x16	69	98	117	87	2.8
25	4x16	80	108	127	114	3.9
32	4x16	89	117	140	114	5.3
40	4x16	98	127	165	135	6.3
50	4x19	121	152	203	155	8.3
65	4x19	140	178	216	189	11.8
80	8x19	152	190	241	200	15.6
100	8x19	190	229	292	232	21.0
125	8x22	216	254	356	274	29.0
150	8x22	241	279	406	326	41.0
200	8x22	298	343	495	397	73.4
250	12x25	362	406	622	512	128.0
300	12x25	400	485	699	562	184.0