

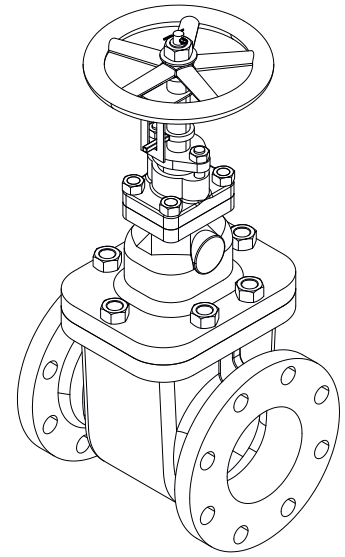
DESCRIPTION: Grey cast iron body gate valve, Rg5 seat rings. Non rising stem, open/close indicator. Bolted bonnet. Flat face flanged.

APPLICATION: Start/stop flow with minimized pressure drop for air/gases, sea water, water, oils etc.

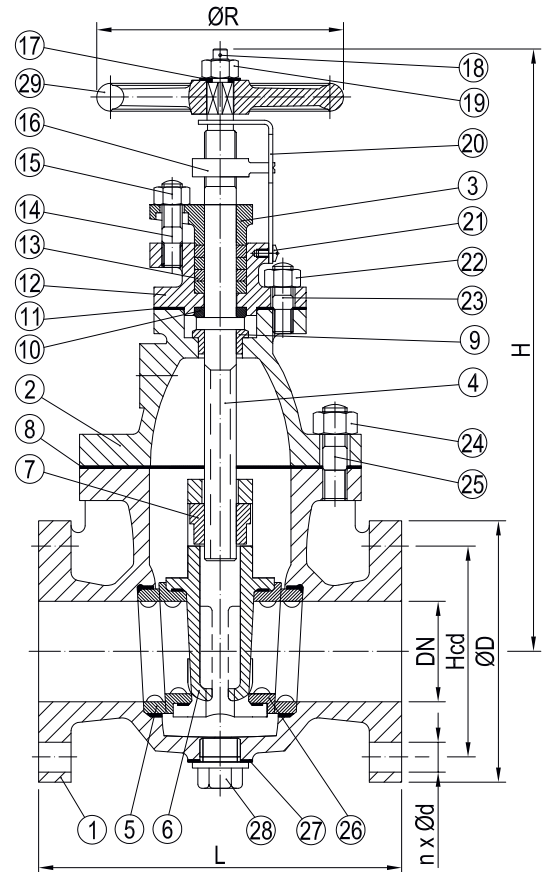
STANDARD & DESIGN:

Design Code: JIS F7363
 Inspection Std.: JIS F7400
 End Std.: JIS B2220
 Face to Face Std.: -
 Flanges drilled: JIS 5K(DN50-DN400)
 Pressure rating: JIS 5K(DN50-DN400)

VARIATIONS: Available with stainless steel(2Cr13) trim.
 Other dimensions and materials on request.



No	Part	Material	Code
1	Body	Cast Iron	HT 200
2	Bonnet	Cast Iron	HT 200
3	Gland	Brass	H62
4	Stem	Brass	H62
5	Sealing Ring	Bronze	ZCuSn5Pb5Zn5
6	Wedge	Cast Iron	HT 200
7	Square Nut	Brass	H62
8	Gasket	Graphite	-
9	Thrust Bush	Brass	H62
10	Thrust Pad	Brass	H62
11	Gasket	Graphite	-
12	Packing Box	Cast Iron	HT 200
13	Packing	Graphite	-
14	Double Open End Bolt	Carbon Steel	Q235A
15	Nut	Carbon Steel	Q235A
16	Staff	Brass	H62
17	Cushion	Carbon Steel	Q235A
18	Split Pin	Carbon Steel	A3
19	Nut	Carbon Steel	Q235A
20	Scale	Brass	H62
21	Screw	Carbon Steel	Q235A
22	Nut	Carbon Steel	Q235A
23	Double Open End Bolt	Carbon Steel	Q235A
24	Nut	Carbon Steel	Q235A
25	Double Open End Bolt	Carbon Steel	Q235A
26	Sealing Ring	Bronze	ZCuSn5Pb5Zn5
27	Gasket	Graphite	-
28	Plug	Brass	H62
29	Handwheel	Cast Iron	HT 200



DN	n x ød	Hcd	øD	L	H	øR	Kg
50	4x15	105	130	180	285	125	13.5
65	4x15	130	155	190	330	140	19.0
80	4x19	145	180	200	380	160	24.2
100	8x19	165	200	230	430	180	35.3
125	8x19	200	235	250	495	200	48.1
150	8x19	230	265	270	560	224	65.3
200	8x23	280	320	290	680	280	103.0
250	12x23	345	385	330	800	355	164.0
300	12x23	390	430	370	920	400	236.0
350	12x25	435	480	410	1000	450	-
400	16x25	495	540	470	1100	500	-