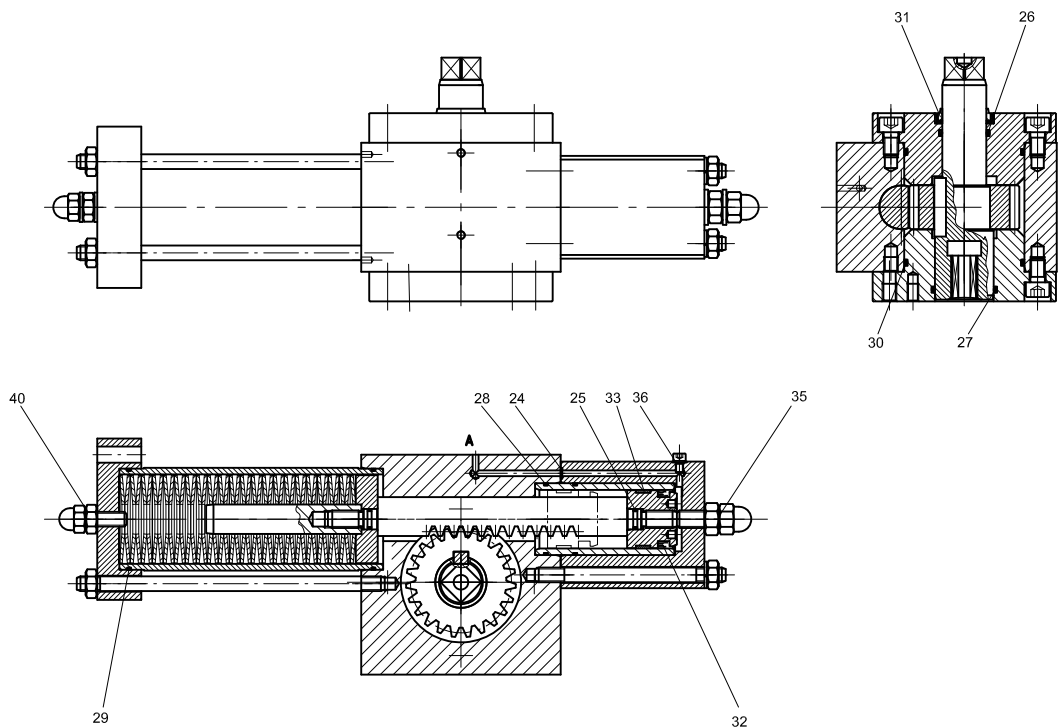


13.0 Spare Part List



Item	Description	Picture		Qty. SHA/S 40	Qty. SHA/S 63
24	O-Ring			2	2
25	O-Ring			2	2
26	O-Ring			1	1
27	O-Ring			1	1
28	O-Ring			4	4
29	O-Ring			2	2
30	O-Ring			2	2
31	Mud stripper			1	1
32	Piston sealing			2	2
33	Piston guide			1	1
35	Gasket			2	2
36	Gasket			1	1
40	Gasket			2	2

BREMEN-GERMANY
E-MAIL info@sander-marine.com

SANDERMARINE
MARINE + OFFSHORE EQUIPMENT

PHONE +49-421-48603-0
FAX +49-421-48603-89