

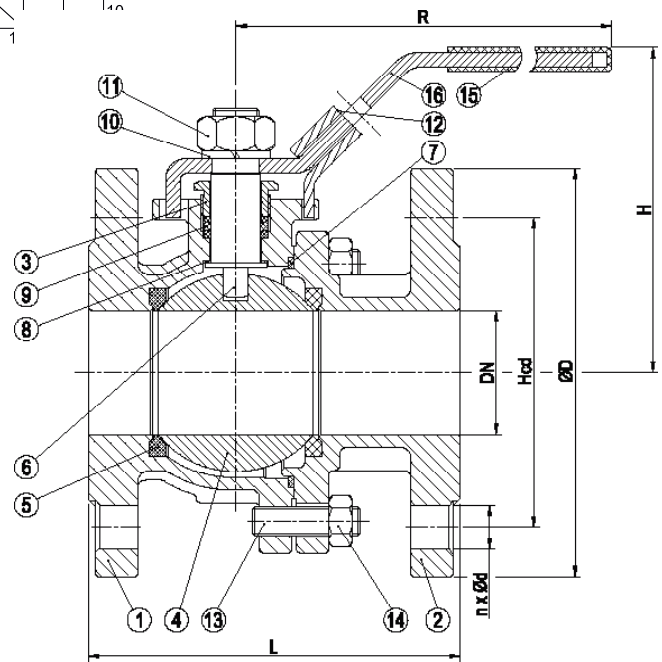
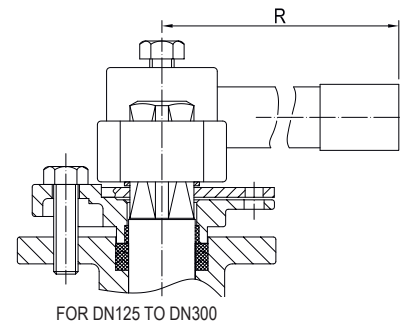
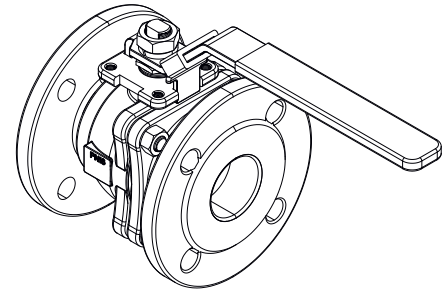
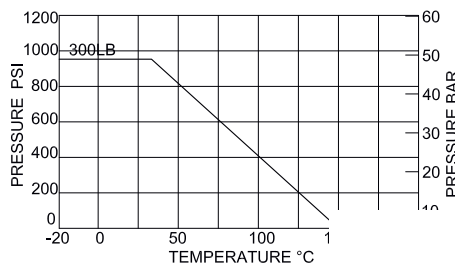
DESCRIPTION: Two piece, full bore, AISI 316 equivalent body ball valve with AISI 316 ball and PTFE seat ring. Raised face flanged.

APPLICATION: Start/stop flow of: Compressed air, gases and liquids. Typically also used for drain and vent purposes.

STANDARD & DESIGN:

Design Code: ASME B16.34
 Inspection Std.: API 598
 End Std.: ASME B16.5
 Face to Face Std.: ASME B16.10
 Top Flange: ISO 5211(DN15-DN300)
 Flanges drilled: ANSI 300(DN15-DN300)
 Pressure rating: ANSI 300(DN15-DN300)

VARIATIONS: Various actuators Available as Fire Safe version. Other dimensions and materials on request. With direct mounting pad.



No	Part	Material	Code
1	Body	Carbon Steel	WCB
2	Cap	Carbon Steel	WCB
3	Gland	Stainless Steel	SUS 304
4	Ball	Stainless Steel	CF8
5	Seat	PTFE	-
6	Stem	Stainless Steel	SUS 304
7	Bonnet Gasket	PTFE	-
8	Thrust Washer	PTFE	TFM4215
9	Packing	PTFE	-
10	Spring Washer	Stainless Steel	SUS 304
11	Stem Nut	Stainless Steel	SUS 304
12	Locking Device	Stainless Steel	SUS 304
13	Bolt	Carbon Steel	-
14	Nut	Carbon Steel	-
15	Handle Cover	Plastic	-
16	Handle	Stainless Steel	SUS304

DN	n x øD	Hcd	øD	L	H	R	Kg
15	4x16	67	95	140	76	153	2.4
20	4x19	83	117	152	78	153	3.3
25	4x19	89	124	165	92	188	4.7
32	4x19	98	133	178	95	188	6.2
40	4x22	114	156	190	126	245	8.9
50	8x19	127	165	216	132	245	12.1
65	8x22	149	190	241	166	288	18.2
80	8x22	168	210	283	176	288	25.4
100	8x22	200	254	305	190	388	27.9
150	12x22	270	318	403	247	750	84.0
200	12x25	330	381	502	305	1000	154.0
250	16x29	387	444	568	327	1000	289.0
300	16x32	450	521	648	355	1000	357.0