

DESCRIPTION: Straight type, grey cast iron body, metal seated screw down stop valve with rising stem, bolted bonnet. Flat face flanged.

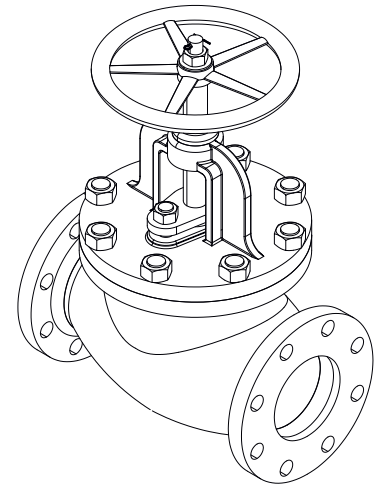
APPLICATION: Start/stop and throttling of: Sea water, water and oils etc.

STANDARD & DESIGN:

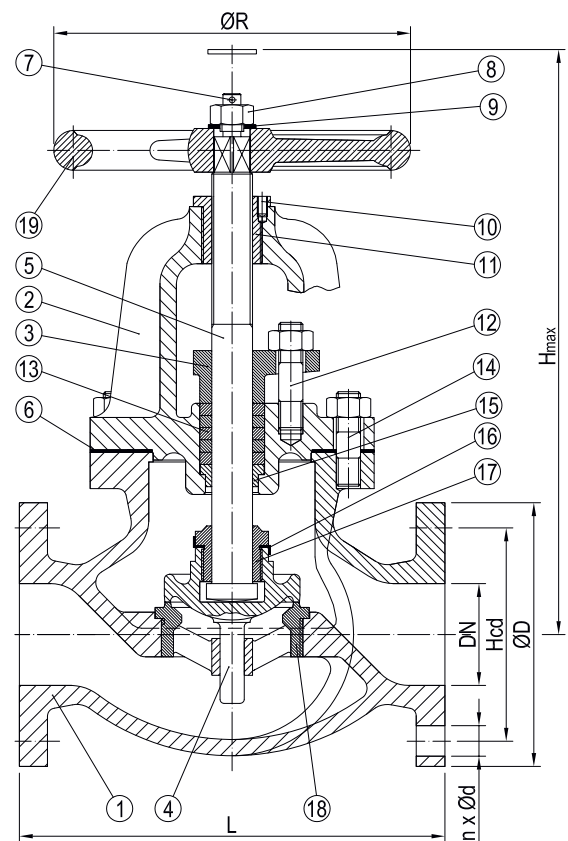
Design Code: JIS F7305
 Inspection Std.: JIS F7400
 End Std.: JIS B2220
 Face to Face Std.: -
 Flanges Drilled: JIS 5K(DN50-DN400)
 Pressure rating: JIS 5K(DN50-DN400)

VARIATIONS: Available with Stainless Steel (2Cr13) trim
 F-7305=Fixed Disc
 F-7353=SDNR

Other dimensions and materials on request.



No	Part	Material	Code
1	Body	Cast Iron	HT200
2	Bonnet	Cast Iron	HT200
3	Gland	Brass	H62
4	Disc	Bronze	ZCuSn5Pb5Zn5
5	Stem	Brass	H62
6	Gasket	Graphite	-
7	Split Pin	Carbon Steel	A3
8	Nut	Carbon Steel	Q235A
9	Gasket Ring	Carbon Steel	Q235A
10	Screw	Carbon Steel	Q235A
11	Screwed Bonnet Bush	Brass	H62
12	Double Open End Bolt	Carbon Steel	Q235A
13	Packing	Graphite	-
14	Double Open End Bolt	Carbon Steel	Q235A
15	Packing Seat	Brass	H62
16	Check Washer	Brass	H62
17	Disc Nut	Brass	H62
18	Sealing Ring	Bronze	ZCuSn5Pb5Zn5
19	Handwheel	Cast Iron	HT200



DN	n x ød	Hcd	øD	L	H _{max}	øR	Kg
50	4x15	105	130	210	270	160	14.7
65	4x15	130	155	250	300	180	21.3
80	4x19	145	180	280	310	180	27.7
100	8x19	165	200	340	360	224	40.8
125	8x19	200	235	410	390	250	57.6
150	8x19	230	265	480	445	280	80.3
200	8x23	280	320	570	530	315	139.0
250	12x23	345	385	740	650	355	246.0
300	12x23	390	430	840	740	400	377.0
350	12x25	435	480	940	840	500	-
400	16x25	495	540	1050	940	560	620.0