

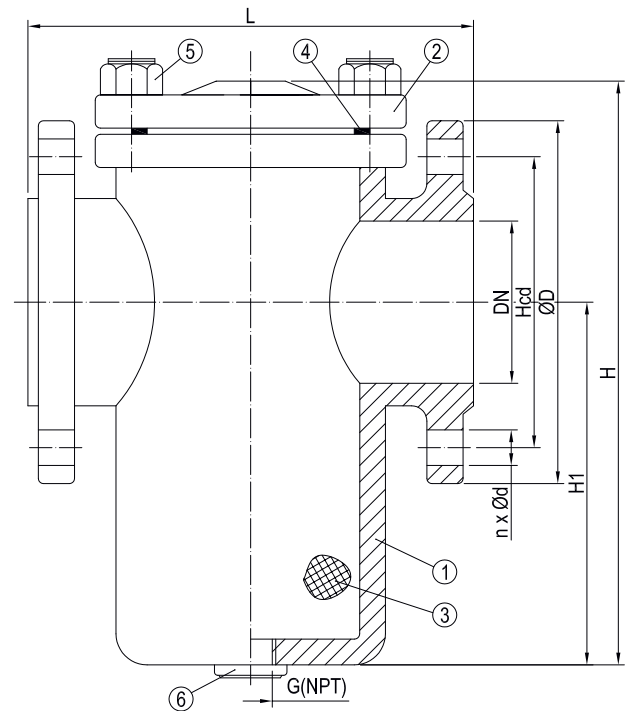
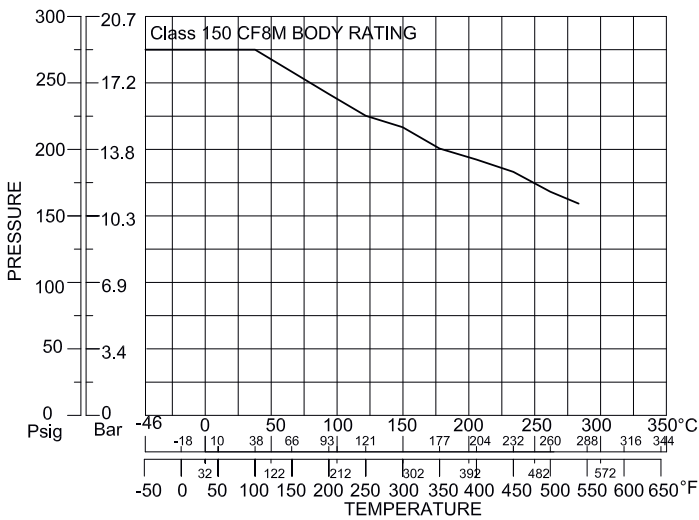
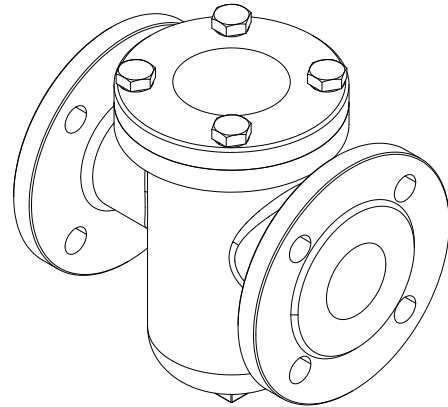
**DESCRIPTION:** Straight type AISI 316 equivalent body strainer with AISI 304 strainer basket. With drain plug. Raised face flanged.

**APPLICATION:** Filtering of water, oils, process liquids etc.

**STANDARD & DESIGN:**

Design Code: ASME B16.34/EN12516-1  
 Inspection Std.: API 598  
 End Std.: ANSI B16.5 CLASS 150 RF  
 Face to Face Std.: -  
 Flanges Drilled: ANSI 150(DN25-DN300)  
 Pressure rating: ANSI 150(DN25-DN300)

**VARIATIONS:** Other mesh sizes



No	Part	Material	Code
1	Body	Stainless Steel	ASTM A351 Gr.CF8M
2	Cap	Stainless Steel	ASTM A351 Gr.CF8M
3	Screen	Stainless Steel	SUS 304
4	Gasket	PTFE	-
5	Bolt	Steel	ASTM A193 B8
6	Plug	Stainless Steel	ASTM A351 Gr.CF8

DN	n x ød	Hcd	øD	G(Inch)	L	H	H1	Kg
25	4x18	80	108	1/2	152	174	77	6.6
40	4x18	98	127	1/2	164	216	120	9
50	4x20	121	152	1	210	216	120	13
65	4x20	140	178	1	222	260	160	15
80	4x20	152	190	1	252	306	200	21
100	8x20	190	229	1	293	390	254	31
125	8x22	216	254	1	336	430	280	49
150	8x22	241	279	1	380	410	270	50
200	8x22	298	343	1	478	560	340	77
250	12x25	362	406	2	508	685	360	143
300	12x25	431	483	2	666	760	420	199