

DESCRIPTION: Straight type, forged steel body stop valve, Stellite trim with rising stem and bolted bonnet. Raised face flanged.

APPLICATION: Start/stop and throttling of: Air, water, oils, steam, oils and aggressive/abrasive media etc.

STANDARD & DESIGN:

Design Code: API 602 (DN15-DN40)
BS 1873 (DN50-DN150)

Inspection Std.: API 598

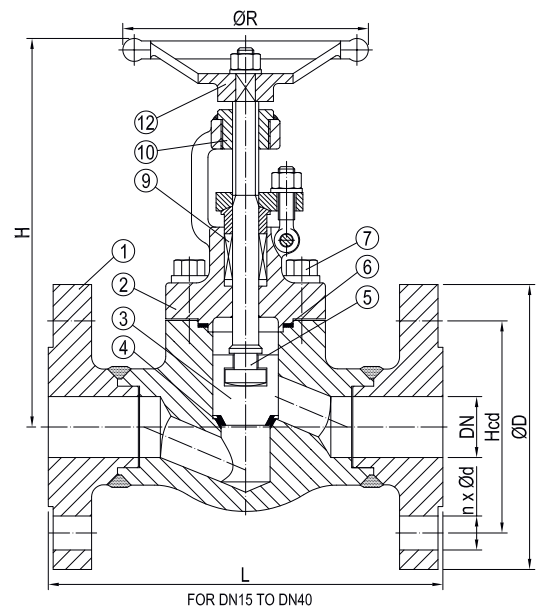
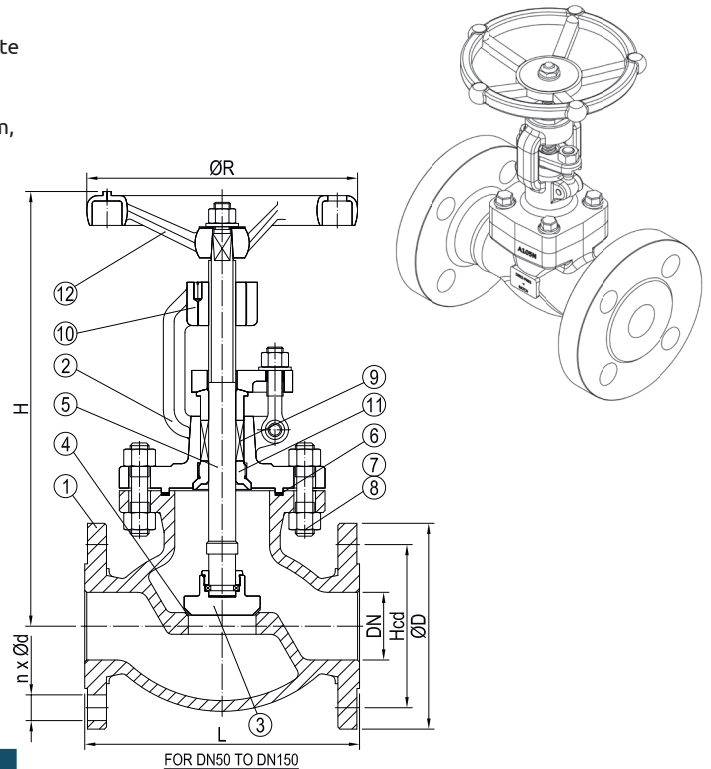
End Std.: ASME B16.5

Face to Face Std.: ASME B16.10

Flanges drilled: ANSI 150(DN15-DN150)

Pressure rating: ANSI 150(DN15-DN150)

VARIATIONS: Other dimensions and materials on request.



No	Part	Material	Code
1	Body (DN15-DN40)	Forged Steel	ASTM A105
		Cast Steel	ASTM A216-WCB
2	Bonnet (DN15-DN40)	Forged Steel	ASTM A105
		Cast Steel	ASTM A216-WCB
3	Disc (DN15-DN40)	Stainless Steel	ASTM A276-420
		Forged Steel	ASTM A105
4	Seat	Deposited Stellite	-
5	Stem (DN15-DN40)	Stainless Steel	ASTM A276-410
		Stainless Steel	ASTM A182-F6a
6	Bonnet Gasket	Graphite	-
7	Stud Bolt	Steel	ASTM A193 Gr.B7
8	Nut	Steel	ASTM A194 Gr.2H
9	Packing	Graphite	-
10	Stem Nut (DN15-DN40)	Carbon Steel	1045
		Al-Bronze alloy	-
11	Back Seat Bushing	Stainless Steel	ASTM A276-420
12	Handwheel (DN15-DN40)	Malleable Iron	ASTM A197
		Cast Iron	-

DN	n x ød	Hcd	øD	L	H	øR	Kg
15	4x16	60	90	108	155	100	3.5
20	4x16	69	100	117	155	100	3.8
25	4x16	80	110	127	176	125	5.7
32	4x16	89	115	140	200	160	8.5
40	4x16	98	125	165	220	160	10.7
50	4x19	121	150	203	370	200	18.0
65	4x19	140	180	216	420	240	30.0
80	4x19	152	190	241	460	240	41.0
100	8x19	190	230	292	480	280	64.0
150	8x22	241	280	406	600	350	113.0