

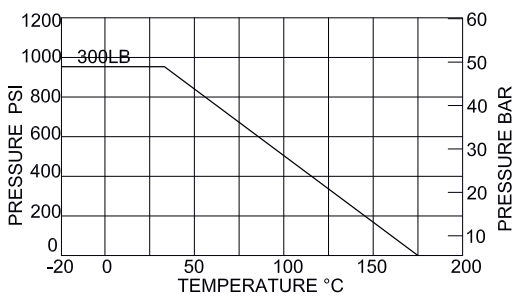
**DESCRIPTION:** Straight type, cast AISI 316 equivalent body. Metal seated screw down stop valve with rising stem, bolted bonnet. Raised face flanged.

**APPLICATION:** Start/stop and throttling of: Water, steam, oils, acidic media etc.

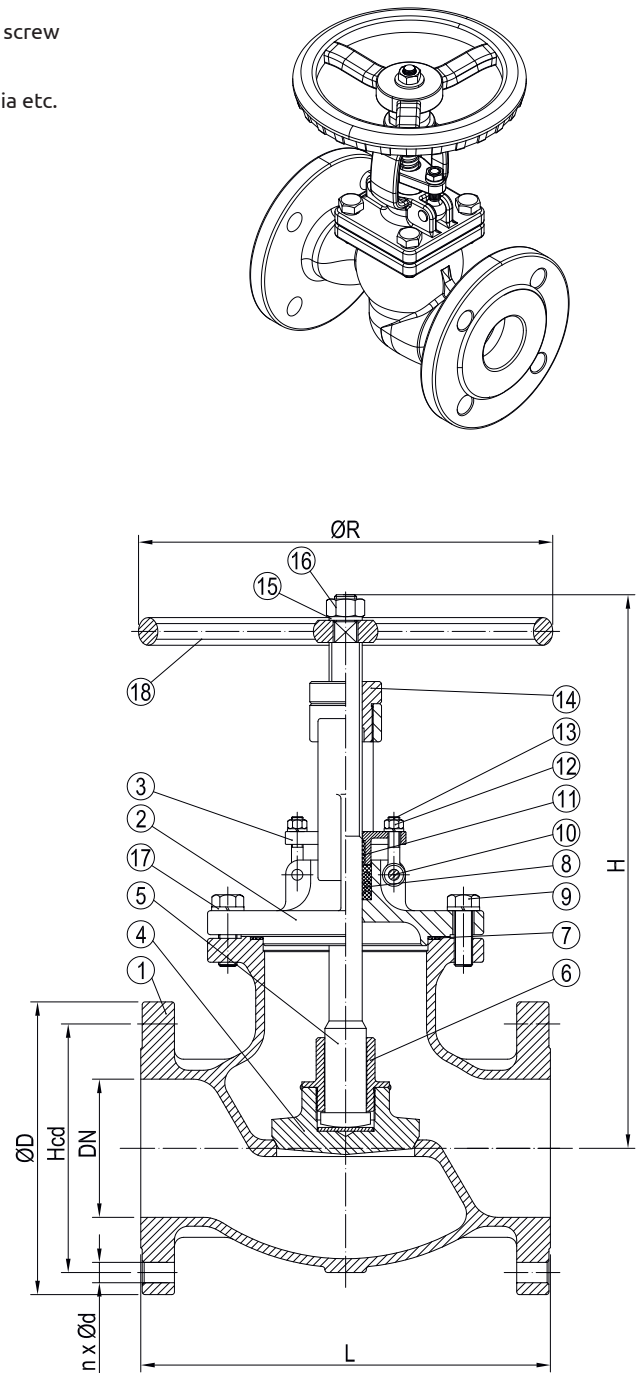
**STANDARD & DESIGN:**

Design Code: ASME B16.34  
 Inspection Std.: API 598  
 End Std.: ASME B16.5  
 Face to Face Std.: ASME B16.10  
 Flanges drilled: ANSI 300(DN15-DN200)  
 Pressure rating: ANSI 300(DN15-DN200)

**VARIATIONS:** Other materials and dimensions on request.



No	Part	Material	Code
1	Body	Stainless Steel	CF8M
2	Bonnet	Stainless Steel	CF8M
3	Gland	Stainless Steel	CF8
4	Disc	Stainless Steel	CF8M
5	Stem	Stainless Steel	SUS 316
6	Disc Cover	Stainless Steel	CF8M
7	Gasket	Graphite	-
8	Gland Packing	PTFE	-
9	Bolt	Stainless Steel	SUS 304
10	Hinge Pin	Stainless Steel	SUS 304
11	Stem Bushing	PTFE	-
12	Nut	Stainless Steel	SUS 304
13	Eye Bolt	Stainless Steel	SUS 304
14	Yoke Sleeve	Bronze	-
15	Name Plate	Stainless Steel	SUS 304
16	Nut	Stainless Steel	SUS 304
17	Spring Washers	Stainless Steel	SUS 304
18	Hand Wheel	Cast Iron	FCD 400



DN	n x ød	Hcd	øD	L	H	øR	Kg
15	4x16	67	95	152	230	140	4.9
20	4x19	83	117	178	230	140	6.1
25	4x19	89	124	203	230	140	6.9
40	4x22	114	156	229	328	250	15.7
50	8x19	127	165	267	378	250	21.8
65	8x22	149	190	292	411	300	28.9
80	8x22	168	210	318	426	300	37.0
100	8x22	200	254	356	520	300	56.7
150	12x22	270	318	444	667	450	109.8
200	12x25	330	381	559	829	500	-