

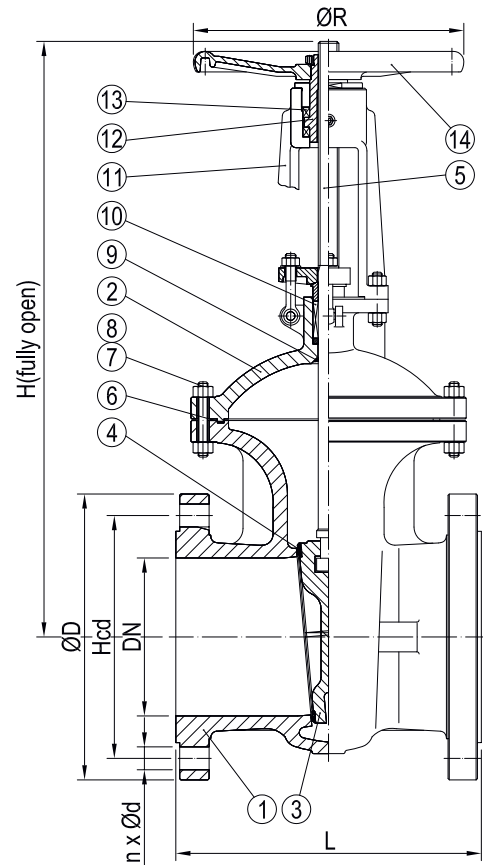
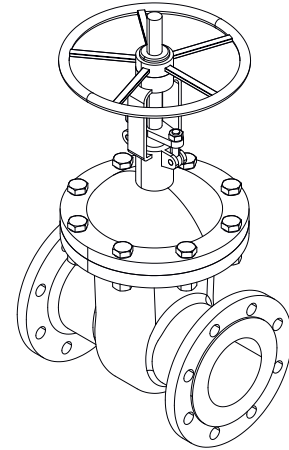
DESCRIPTION: Cast steel body gate valve with stellite coated steel wedge and stellite coated seat. Rising stem and bolted bonnet. Raised face flanged.

APPLICATION: Start/stop flow with minimized pressure drop for water, steam, oils and aggressive/abrasive media etc.

STANDARD & DESIGN:

Design Code: API 600
 Inspection Std.: API 598
 End Std.: ASME B16.5
 Face to Face Std.: ASME B16.10
 Flanges drilled: ANSI 300(DN50-DN300)
 Pressure rating: ANSI 300(DN50-DN300)

VARIATIONS: Other dimensions and materials on request.



No	Part	Material	Code
1	Body	Cast Steel	ASTM A216-WCB
2	Bonnet	Cast Steel	ASTM A216-WCB
3	Wedge	Cast Steel	ASTM A216-WCB
4	Seat	Forged Steel	ASTM A105
5	Stem	Stainless Steel	ASTM A182-F6a
6	Bonnet Gasket	Graphite	-
7	Stud Bolt	Steel	ASTM A193 Gr.B7
8	Nut	Steel	ASTM A194 Gr.2H
9	Back Seat Bushing	Stainless Steel	ASTM A276-420
10	Packing	Graphite	-
11	Yoke	Cast Steel	ASTM A216-WCB
12	Stem Nut	Al-Bronze alloy	-
13	Axle tree	Steel	E51100
14	Handwheel	Cast Iron	-

DN	n x ød	Hcd	øD	L	H	øR	Kg
50	8x19	127	165	216	330	250	30
65	8x22	149	190	241	368	250	36
80	8x22	168	210	283	394	300	61
100	8x22	200	255	305	473	300	77
125	8x22	235	280	381	660	350	106
150	12x22	270	320	403	711	350	153
200	12x26	330	380	419	813	400	286
250	16x29	387	445	457	1003	500	412
300	16x32	450	520	502	1137	600	576