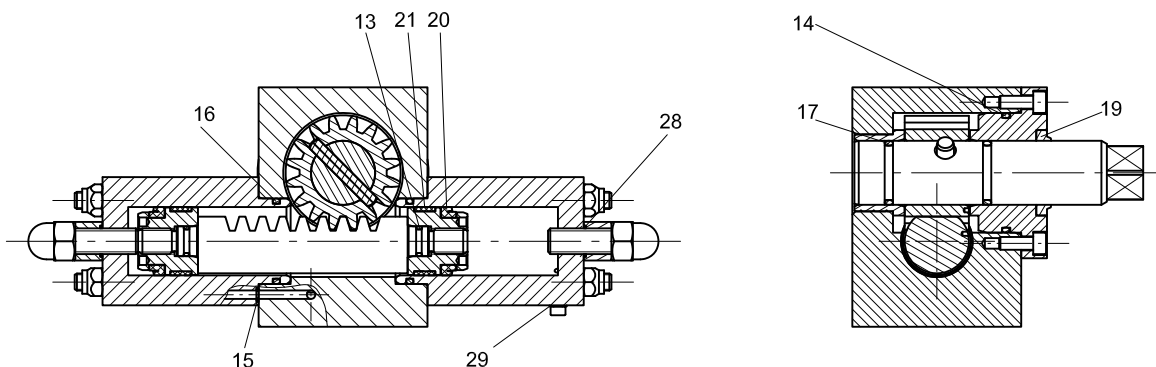
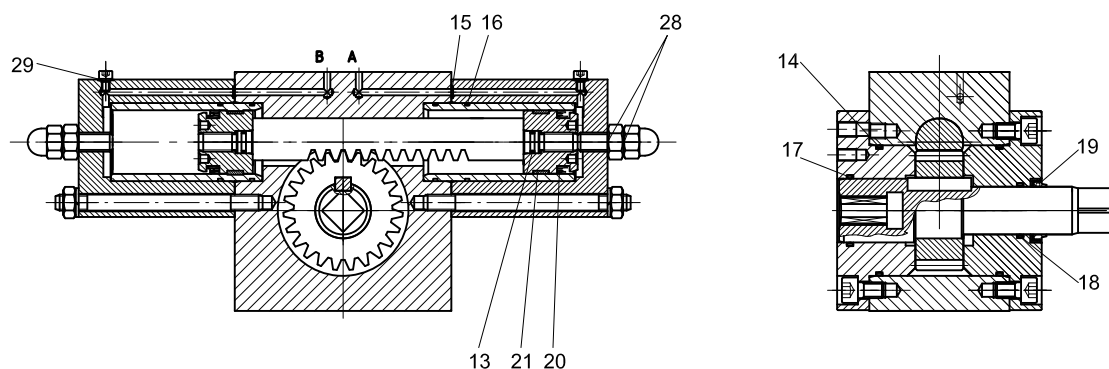


13.0 Spare Part List

13.1 SHA/D 32



13.2 SHA/D 40 ; SHA/D 63



| Item | Description | Picture | Qty. | SHA/D32 | Qty. | SHA/D40 | Qty. | SHA/D63 |
|------|---------------------|---------|------|-------------|------|-------------|------|-------------|
| 13 | O-Ring | | 2 | | 2 | | 2 | |
| 14 | O-Ring | | 1 | | 2 | | 2 | |
| 15 | O-Ring | | 2 | | 2 | | 2 | |
| 16 | O-Ring | | 2 | | 4 | | 4 | |
| 17 | O-Ring | | 2 | | 1 | | 1 | |
| 18 | O-Ring | | - | | 1 | | 1 | |
| 19 | Mud stripper | | 1 | 0875-00-180 | 1 | 0875-00-094 | 1 | 0875-00-098 |
| 20 | Piston sealing | | 2 | | 2 | | 2 | |
| 21 | Guide ring | | 2 | | 2 | | 2 | |
| 28 | Gasket | | - | | 4 | | 4 | |
| 28 | O-Ring (since 2010) | | 4 | | 4 | | 4 | |
| 29 | Gasket | | 2 | | 2 | | 2 | |

BREMEN-GERMANY
E-MAIL info@sander-marine.com

SANDERMARINE
MARINE + OFFSHORE EQUIPMENT

PHONE +49-421-48603-0
FAX +49-421-48603-89