

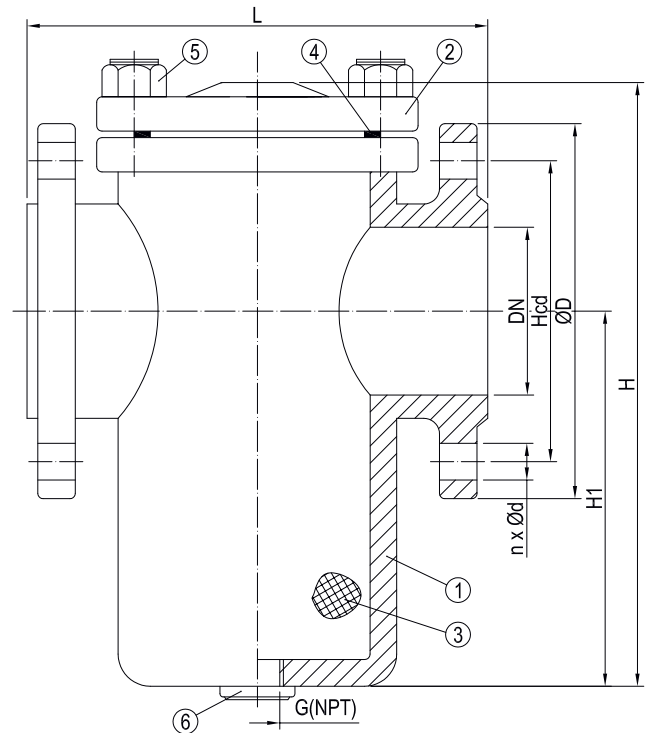
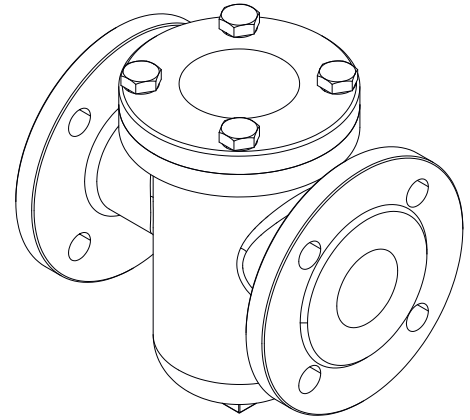
DESCRIPTION: Straight type AISI 316 equivalent body strainer with AISI 304 strainer basket. With drain plug. Raised face flanged.

APPLICATION: Filtering of water, oils, process liquids in general etc.

STANDARD & DESIGN:

Design Code: -
 Inspection Std.: EN12266-1
 End Std.: EN1092-1
 Face to Face Std.: -
 Flanges Drilled: PN16(DN25-DN150)
 PN10(DN200-DN300)
 Pressure rating: PN16(DN25-DN150)
 PN10(DN200-DN300)

VARIATIONS: DN200-DN300 available in PN16
 Other mesh sizes



No	Part	Material	Code
1	Body	Stainless Steel	EN1503-1/1.4408
2	Cap	Stainless Steel	EN1503-1/1.4408
3	Screen	Stainless Steel	SUS 304
4	Gasket	PTFE	-
5	Bolt	Steel	ASTM A193 B8
6	Plug	Stainless Steel	SS316

DN	n x ød	Hcd	øD	G(Inch)	L	H	H1	Kg
25	4x14	85	115	1/2	152	174	77	7.8
40	4x18	110	150	1/2	173	216	120	10.6
50	4x18	125	165	1	210	216	120	13.0
65	4x18	145	185	1	222	260	160	15.0
80	8x18	160	200	1	254	306	200	21.0
100	8x18	180	220	1	290	390	254	28.0
125	8x18	210	250	1	336	430	280	44.0
150	8x22	240	285	1	400	410	270	48.0
200	8x22	295	340	1	500	560	340	88.9
250	12x22	350	395	2	508	685	360	128.0
300	12x22	400	445	2	666	760	420	-