

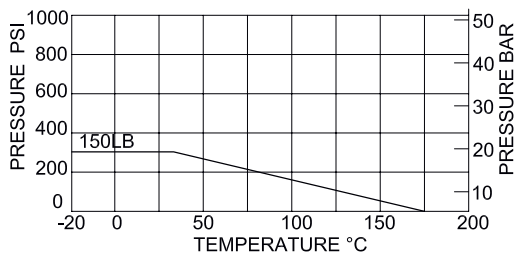
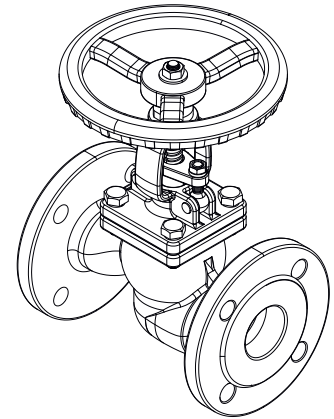
**DESCRIPTION:** Straight type, cast AISI 316 equivalent body. Metal seated screw down stop valve with rising stem, bolted bonnet. Raised face flanged.

**APPLICATION:** Start/stop and throttling of: Water, steam, oils, acidic media etc.

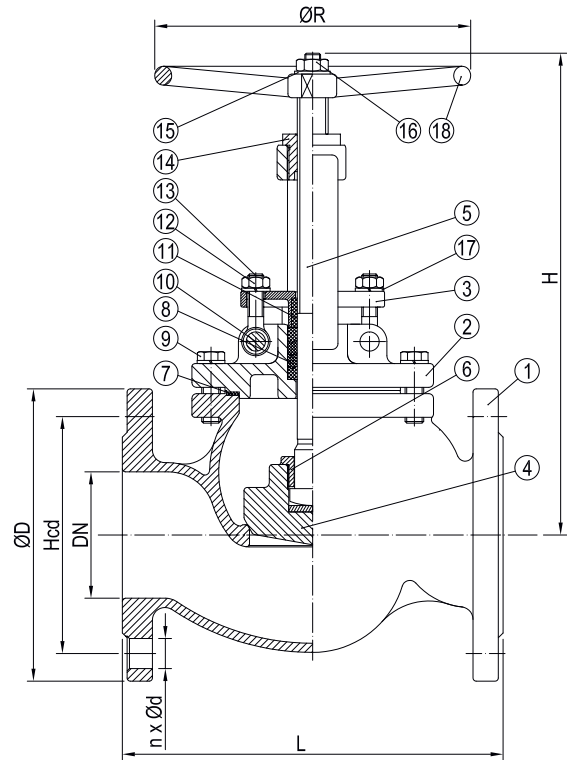
**STANDARD & DESIGN:**

Design Code: ASME B16.34  
 Inspection Std.: API 598  
 End Std.: ASME B16.5  
 Face to Face Std.: ASME B16.10  
 Flanges drilled: ANSI 150(DN15-DN250)  
 Pressure rating: ANSI 150(DN15-DN250)

**VARIATIONS:** Other materials and dimensions on request.



No	Part	Material	Code
1	Body	Stainless Steel	CF8M
2	Bonnet	Stainless Steel	CF8M
3	Gland	Stainless Steel	CF8
4	Disc	Stainless Steel	CF8M
5	Stem	Stainless Steel	SUS 316
6	Disc Cover	Stainless Steel	CF8M
7	Gasket (<200) (≥200)	PTFE Graphite	- -
8	Gland Packing	PTFE	-
9	Bolt	Stainless Steel	SUS 304
10	Hinge Pin	Stainless Steel	SUS 304
11	Stem Bushing	PTFE	-
12	Nut	Stainless Steel	SUS 304
13	Eye Bolt	Stainless Steel	SUS 304
14	Yoke Sleeve	Bronze	-
15	Name Plate	Stainless Steel	SUS 304
16	Nut	Stainless Steel	SUS 304
17	Spring Washers	Stainless Steel	SUS 304
18	Hand Wheel	Cast Iron	FCD 400



DN	n x ød	Hd	øD	L	H	øR	Kg
15	4x16	60	89	108	186	140	3.2
20	4x16	69	98	117	186	140	3.8
25	4x16	80	108	127	212	140	4.4
32	4x16	89	117	140	243	160	6.3
40	4x16	98	127	165	246	160	7.4
50	4x19	121	152	203	252	200	10.6
65	4x19	140	178	216	308	200	15.2
80	4x19	152	190	241	327	250	20.8
100	8x19	190	229	292	384	250	31.0
125	8x22	216	254	356	484	300	47.3
150	8x22	241	279	406	547	350	62.2
200	8x22	298	343	495	669	350	98.9
250	12x25	362	406	622	824	500	188.0