

## STRAIGHT TYPE, FLANGED ENDS

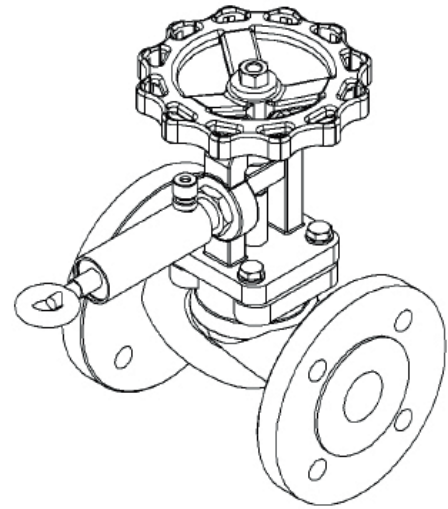
**DESCRIPTION:** Straight type cast steel, metal seated, quick closing globe valve. Release cylinder for pneumatic, hydraulic or mechanical remote control. Raised face flanged.

**APPLICATION:** Remote emergency shut off valve for fuels, oils and other combustible liquids. Engine room installation etc.

**STANDARD & DESIGN:**

Design Code: -  
 Inspection Std.: -  
 End Std.: EN 1092/B (DIN 2501)  
 Face to Face Std.: EN 558 series 1 (DIN 3202 F1)  
 Flanges drilled: PN16 (DN15-DN150)  
 PN10 (DN200)  
 Pressure rating: PN16 (DN15-DN150)  
 PN10 (DN200)  
 Temperature range: -10°C to +150°C

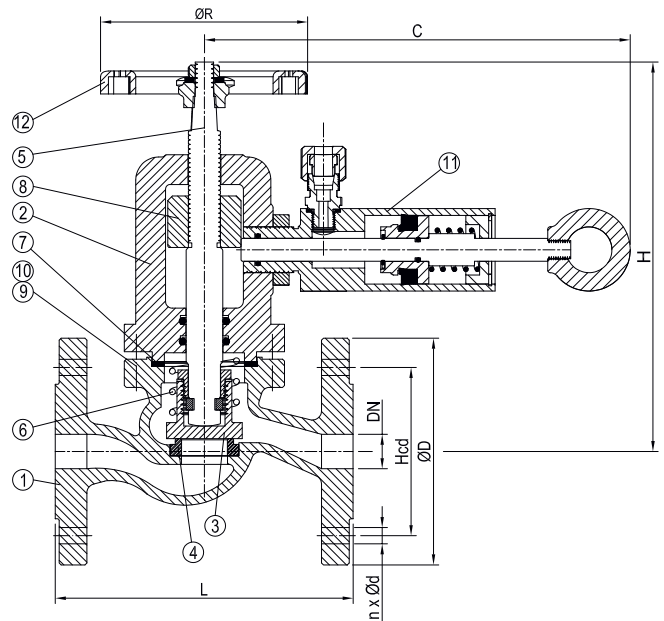
**VARIATIONS:** Other dimensions and materials on request. Impuls unit for remote control.



Pressure & Temperature ranges:

Bore	Working Pressure(Bar)
	150°C
DN15-DN150	16
DN200	10

No	Part	Material	Code
1	Body	Cast Steel	GP240GH
2	Bonnet	Cast Steel	GP240GH
3	Disc	Stainless Steel	X20Cr13(1.4021)
4	Seat	Stainless Steel	AISI304(1.4301)
5	Stem	Stainless Steel	X20Cr13(1.4021)
6	Spring	Spring Steel	1.4310
7	Bonnet Gasket	Graphite	-
8	Retainer Block	Brass	CuZn39Pb3
9	Stud Bolt	Steel	-
10	Nut	Steel	-
11	Cylinder	Brass	CuZn39Pb3
12	Handwheel	Cast Iron	EN-GJL250



DN	n x ød	Hcd	øD	L	H	øR	C	Kg
15	4x14	65	95	130	175	120	190	4.0
20	4x14	75	105	150	175	120	190	4.5
25	4x14	85	115	160	190	140	190	5.0
32	4x18	100	140	180	190	140	190	7.0
40	4x18	110	150	200	205	160	195	11.0
50	4x18	125	165	230	215	160	195	13.0
65	4x18	145	185	290	245	180	195	19.0
80	8x18	160	200	310	270	200	195	25.0
100	8x18	180	220	350	305	225	195	35.0
125	8x18	210	250	400	330	250	195	55.0
150	8x22	240	285	480	380	300	195	75.0
200	8x22	295	340	600	450	400	195	135.0