

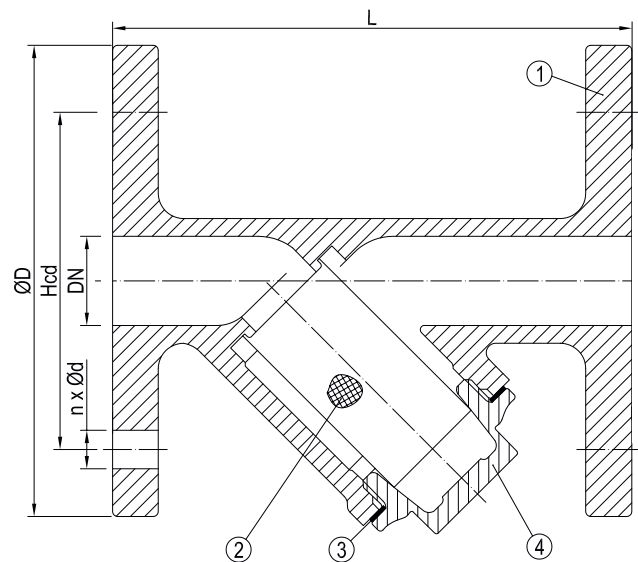
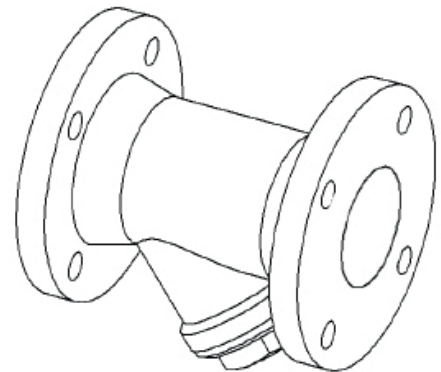
**DESCRIPTION:** Y-type, Rg5 body strainer with AISI 304 strainer basket.  
Flat face flanged.

**APPLICATION:** Filtering of water, oils, process liquids in general etc.

**STANDARD & DESIGN:**

Design Code: -  
 Inspection Std.: -  
 End Std.: UNI EN 1092-3:2005  
 Face to Face Std.: -  
 Flanges Drilled: PN16(DN15-DN100)  
 Pressure rating: PN16(DN15-DN100)  
 Temperature Range: -10°C to 180°C (Water)  
 -10°C to 60°C (Oxygen)

**VARIATIONS:** Other mesh sizes.  
Other materials on request.



No	Part	Material	Code
1	Body	Bronze	Rg5
2	Screen	Stainless Steel	AISI 304 (1.4301)
3	Gasket	Graphite	-
4	Plug	Bronze	Rg5

DN	n x ød	Hcd	øD	L	Kg
15	4x14	65	95	100	1.7
20	4x14	75	105	115	2.0
25	4x14	85	115	140	2.5
32	4x18	100	140	145	4.2
40	4x18	110	150	170	5.2
50	4x18	125	165	185	6.8
65	4x18	145	185	205	8.8
80	8x18	160	200	220	10.5
100	8x18	180	220	254	14.0