

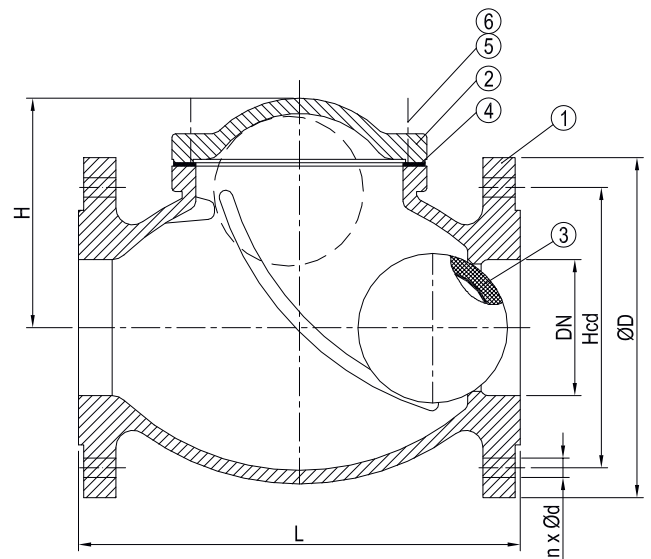
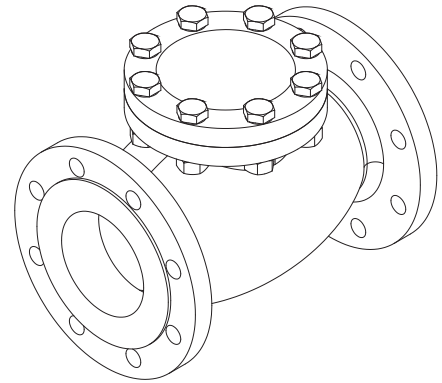
DESCRIPTION: Straight type, nodular cast iron body ball check valve. NBR lined ball. Raised face flanged.

APPLICATION: Clean, waste, sewage water and viscous media. Mostly used in water purification stations, sewage treatment installations and pumping stations. Preventing backflow in viscous medias.

STANDARD & DESIGN:

Design Code: -
 Inspection Std.: -
 End Std.: EN 1092-2/B (DIN 2501)
 Face to Face Std.: EN 558 series 48 (DIN 3202 F6)
 Flanges drilled: PN10 (DN40-DN400)
 Pressure rating: PN10 (DN40-DN400)
 Temperature range: -10°C to +120°C

VARIATIONS: Available with EPDM covered ball.



No	Part	Material	Code
1	Body	Nodular Cast Iron	EN-GJS400-15
2	Bonnet	Nodular Cast Iron	EN-GJS400-15
3	Ball	EPDM	-
3	Bonnet Gasket	Asbestos free	-
5	Stud Bolt	Steel	-
6	Nut	Steel	-

DN	n x ød	Hcd	øD	L	H	Kg
40	4x18	110	150	180	92	9
50	4x18	125	165	200	102	10
65	8x18	145	185	240	113	15
80	8x18	160	200	260	135	20
100	8x18	180	220	300	140	25
125	8x18	210	250	350	178	35
150	8x22	240	285	400	203	53
200	8x22	295	340	500	276	90
250	12x22	350	395	600	327	140
300	12x22	400	445	700	390	180
350	16x22	460	505	800	585	270
400	16x26	515	565	900	655	310