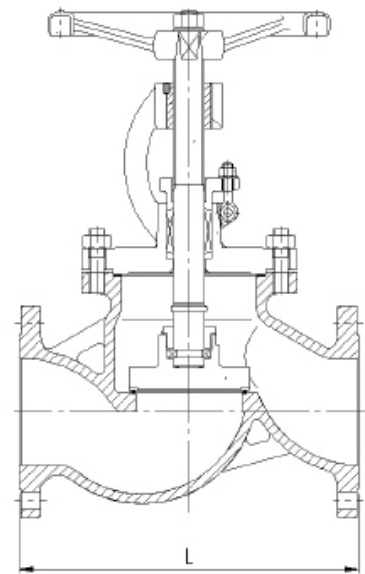
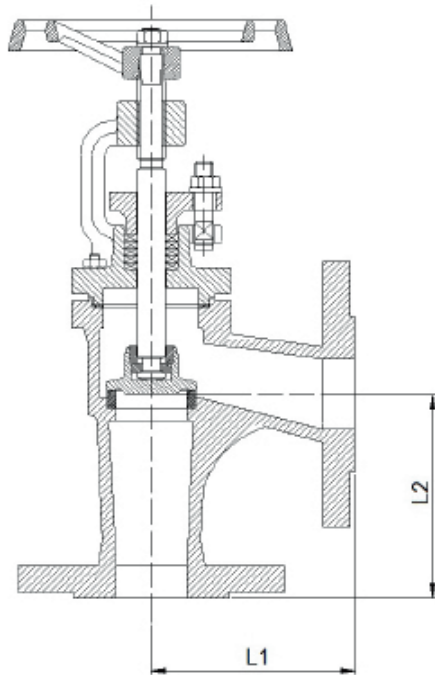


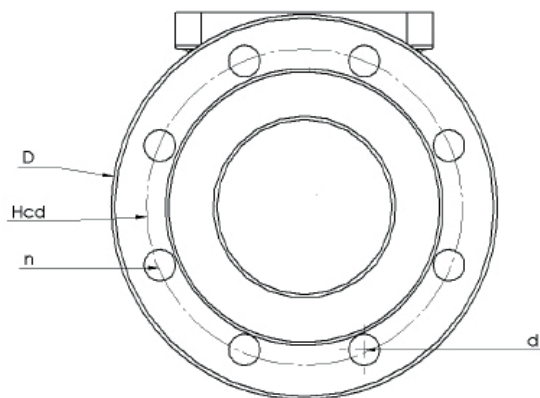
HOW TO MEASURE A VALVE

In order to supply correct valve we want information about dimensions acc to below.
If possible also medium, pressure and temperature.



- L1 = Face to Face Length
- L1 = Face to Center Length
- L2 = Face to Center Length

Please note raised face is included in L, L1 and L2



- D = Flange diameter
- Hcd = Hole circle diameter
- d = Diameter of bolt holes
- n = Number of bolt holes