

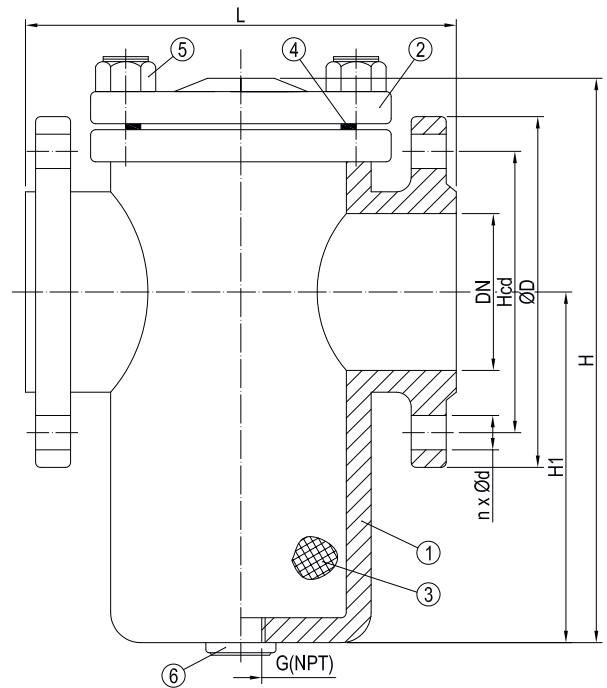
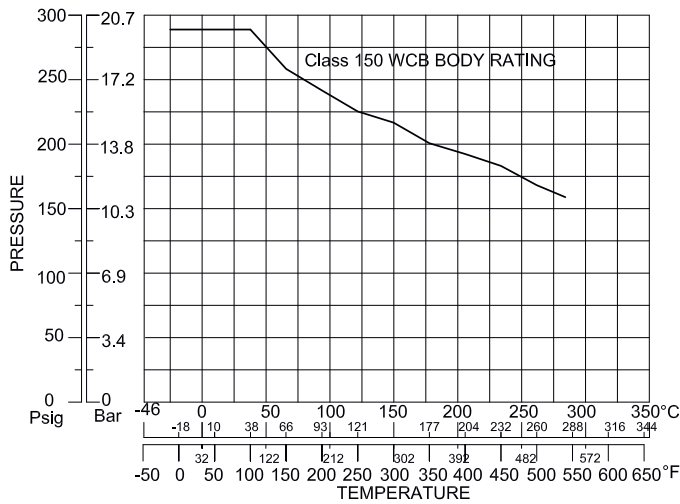
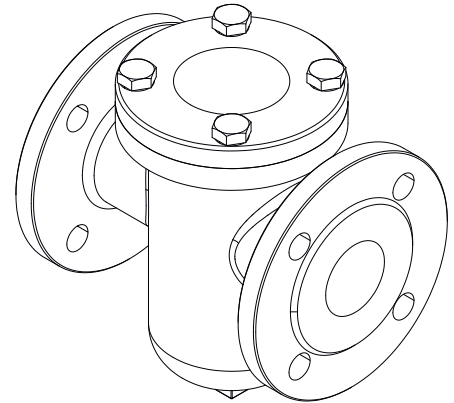
DESCRIPTION: Straight type cast steel body strainer with AISI 304 strainer basket. With drain plug. Raised face flanged.

APPLICATION: Filtering of water, oils, process liquids etc.

STANDARD & DESIGN:

Design Code: ASME B16.34/EN12516-1
 Inspection Std.: API 598
 End Std.: ANSI B16.5 CLASS 150 RF
 Face to Face Std.: -
 Flanges Drilled: ANSI 150(DN25-DN300)
 Pressure rating: ANSI 150(DN25-DN300)

VARIATIONS: Other mesh sizes



No	Part	Material	Code
1	Body	Cast Steel	ASTM A216 Gr.WCB
2	Cap	Cast Steel	ASTM A216 Gr.WCB
3	Screen	Stainless Steel	SUS 304
4	Gasket	PTFE	-
5	Bolt	Steel	ASTM A193 B7
6	Plug	Cast Steel	ASTM A216 Gr.WCB

DN	n x ød	Hcd	øD	G(Inch)	L	H	H1	Kg
25	4x18	80	108	1/2	152	174	77	6.6
40	4x18	98	127	1/2	164	216	120	9
50	4x20	121	152	1	210	216	120	13
65	4x20	140	178	1	222	260	160	15
80	4x20	152	190	1	252	306	200	21
100	8x20	190	229	1	293	390	254	31
125	8x22	216	254	1	336	430	280	49
150	8x22	241	279	1	380	410	270	50
200	8x22	298	343	1	478	560	340	77
250	12x25	362	406	2	508	685	360	143
300	12x25	431	483	2	666	760	420	199