

PRESSURE REDUCING VALVE

FLANGED ENDS

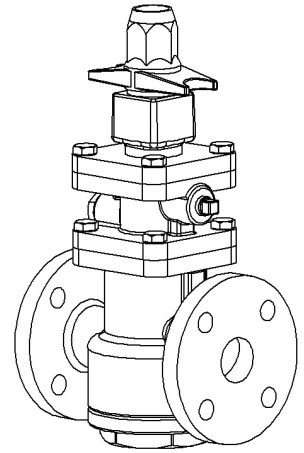
921602

DESCRIPTION: Straight type nodular cast iron body pilot operated steam pressure reducing valve. Primary pressure 2-16 barg. Flat face flanged.

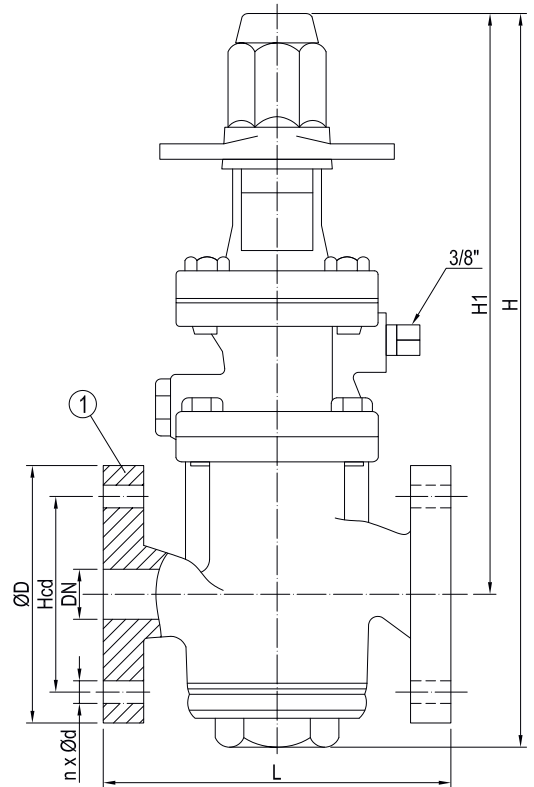
APPLICATION: Process steam systems
For reduction and accurate control of steam pressure.

STANDARD & DESIGN:

Design Code: -
 Inspection Std.: -
 End Std.: DIN 2501
 Face to Face Std.: -
 Flanges drilled: PN16(DN15-DN150)
 Max. operating pressure: 16 barg
 Max. operating temperature: 220°C
 Primary pressure range: 2-16 barg
 Adjustable pressure range: Within 10-84% of primary pressure but with a minimum pressure of 0.3 barg.
 Differential pressure between 0.7-8.5 bar
 Minimum adjustable flow rate: 5% of rated flow rate (DN15-DN50) 10% of rated flow rate (DN65-DN150)



VARIATIONS: Other material or End Std. on request.



| No | Part | Material | Code |
|----|----------------------|-------------------|----------|
| 1 | Body | Ductile Cast Iron | GGG-40.3 |
| 2 | Major Internal Parts | Stainless Steel | - |

| DN | n x ød | Hcd | øD | L | H | H1 | Kg |
|-----|--------|-----|-----|-----|-----|-----|-----|
| 15 | 4x14 | 65 | 95 | 130 | 357 | 285 | 10 |
| 20 | 4x14 | 75 | 105 | 150 | 357 | 285 | 11 |
| 25 | 4x14 | 85 | 115 | 160 | 357 | 282 | 13 |
| 32 | 4x18 | 100 | 140 | 180 | 385 | 302 | 19 |
| 40 | 4x18 | 110 | 150 | 200 | 385 | 302 | 20 |
| 50 | 4x18 | 125 | 165 | 230 | 412 | 315 | 27 |
| 65 | 4x18 | 145 | 185 | 290 | 554 | 411 | 57 |
| 80 | 8x18 | 160 | 200 | 310 | 554 | 411 | 58 |
| 100 | 8x18 | 180 | 220 | 350 | 633 | 448 | 87 |
| 150 | 8x22 | 240 | 285 | 480 | 810 | 530 | 204 |