

DESCRIPTION: Angled type, Rg5 body, metal seated screw down stop valve with rising stem, screwed and secured bonnet. Flat face flanged.

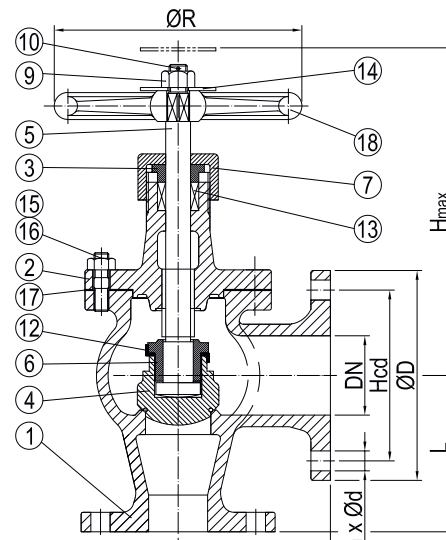
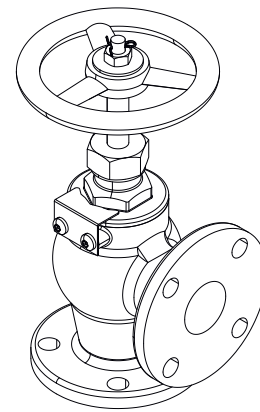
APPLICATION: Start/stop and throttling of: Sea water, water and oils etc.

STANDARD & DESIGN:

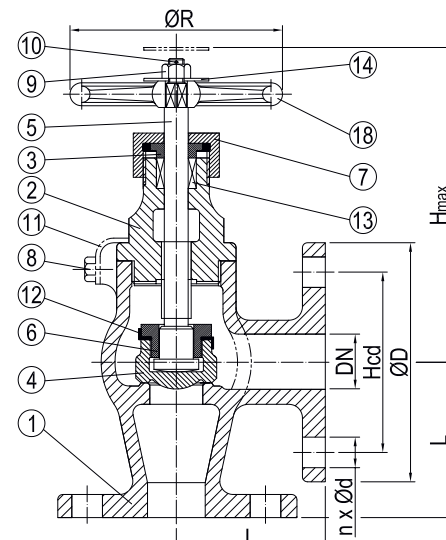
Design Code: JIS F7302
 Inspection Std.: JIS F7400
 End Std.: JIS B2240
 Face to Face Std.: -
 Pressure rating: JIS 5K(DN15-DN65)

VARIATIONS: F-7302=Fixed Disc
 F-7352=SDNR

Other dimensions and materials on request.



FOR DN50 TO DN65



FOR DN15 TO DN40

No	Part	Material	Code
1	Body	Bronze	BC 6
2	Bonnet (<=DN40)	Brass	C 3771 BE
	(>=DN50)	Bronze	BC6
3	Gland	Brass	C 3771 BE
4	Disc (<=DN40)	Brass	C 3771 BE
	(>=DN50)	Bronze	BC6
5	Stem	Brass	C 3771 BE
6	Disc Nut	Brass	C 3771 BE
7	Gland Nut	Brass	C 3771 BE
8	Machine Screw	Stainless Steel	SUS 304
9	Hexagonal Nut	Stainless Steel	SUS 304
10	Split Pin	Brass	C 2600 W
11	Lock Plate	Brass	C 2600 P
12	Disc Lock Washer	Brass	C 2600 P
13	Packing	Graphite	-
14	Name Plate	Aluminium	Al
15	Stud	Brass	C 3771 BE
16	Hexagonal Nut	Stainless Steel	SUS 304
17	Gasket	Asbestos free	-
18	Handwheel	Cast Iron	FC 200

DN	n x ød	Hcd	øD	L	H _{max}	øR	Kg
15	4x12	60	80	55	120	80	2.0
20	4x12	65	85	60	130	100	2.7
25	4x12	75	95	65	145	125	3.4
32	4x15	90	115	80	150	125	4.8
40	4x15	95	120	85	165	140	6.0
50	4x15	105	130	100	200	140	10.1
65	4x15	130	155	115	220	160	15.6