

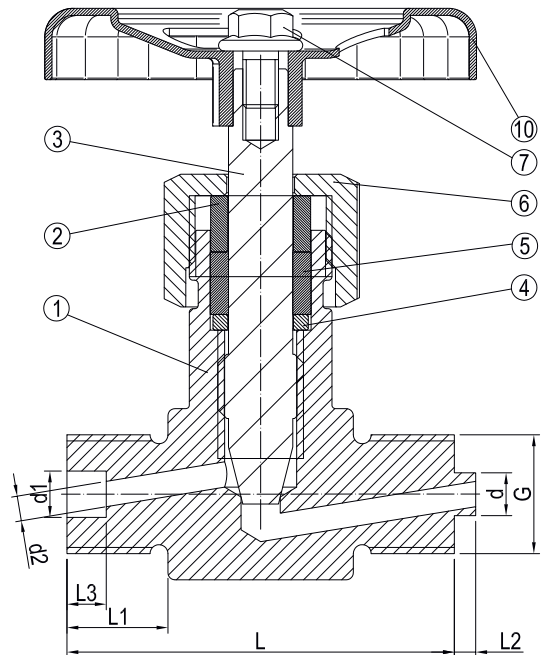
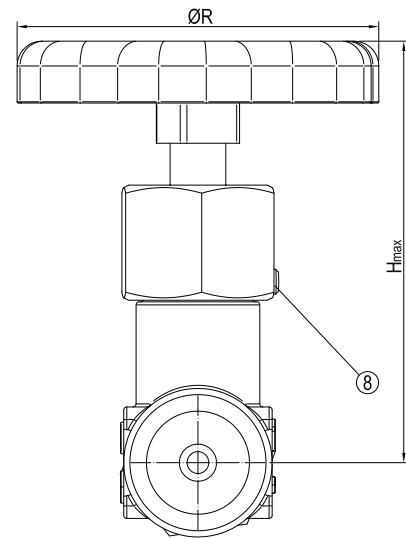
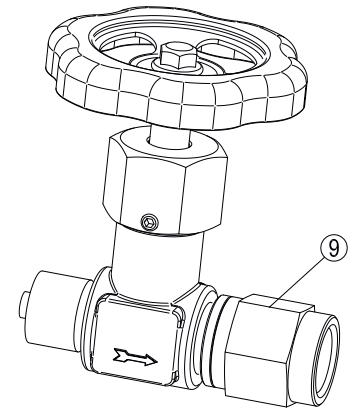
DESCRIPTION: Fitting for pressure gauge mounting, combined with open/close functionality. Male BSPP threaded.

APPLICATION: Connection of manometer.

STANDARD & DESIGN:

Design Code: -
 Inspection Std.: -
 End Std.: BSP
 Face to Face Std.: -
 Pressure rating: PN100(DN8-DN15)

VARIATIONS: Available with locked gland nut. NPT threaded. AISI 304 and 316 for PN400.



No	Part	Material	Code
1	Body	Brass	CW 614N
2	Gland	Brass	CW 614N
3	Stem	Brass	CW 614N
4	Washer	Brass	CW 614N
5	Gland Packing	Graphite	-
6	Gland Nut	Brass	CW 614N
7	Flange Screw	Steel	-
8	Set Screw	Steel	-
9	Adapter Piece	Brass	CW 614N
10	Handwheel	Steel	-

DN	G(Inch)	L	L1	L2	L3	H _{max}	d	d1	d2	øR	Kg
8	1/4	50	13	3	6	95	6	6.5	3.5	60	0.3
10	3/8	54	15	3	6	95	6	6.5	3.5	60	0.3
15	1/2	64	20	5	6	95	6	6.5	3.5	60	0.4