



ELECTRIC ACTUATOR

NA SERIES

Standard Specification

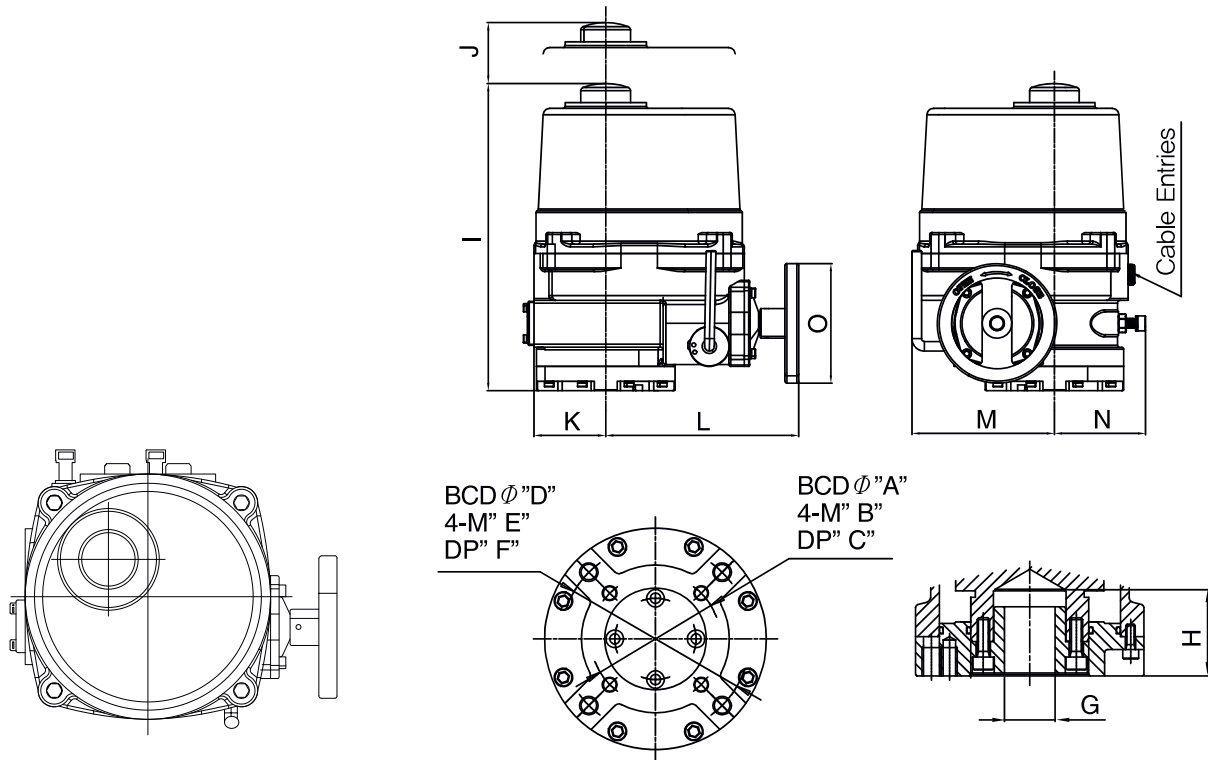
Enclosure	Watertight Ingress Protection 67 Nema 4 and 6
Ambient Temperature	-20°C to +70°C, 150°C / 1hr (Option: -60°C, 400°C / 1hr)
Power Supply	110 / 220 VAC 50/60Hz, 380 / 440 VAC 50/60Hz Option: AC 24V, DC 24V
Torque Switches	2 Open / Close (Except NA006,NA009)
Limit Switches	2 Open / Close , 250 VAC 15A Rating
Stall Protection	Built - in Thermal Protection (Open 150°C ± 5°C / Close 97°C ± 15°C)
Travel Angle	90 ± 5°C
Indicator	Continuous Position Indicator
Manual Override	Hand / Auto Decutching Mechanism
Self Locking	Provided by means of Worm Gearing
Mechanical Stops	External Adjustable Screws
Space Heater	20W
Conduit Entries	2-PF 3/4", 2-NPT 3/4", 2-M20 x1.5(Pitch)
Lubrication	Shell Gadus S2 V220 2
Material	Aluminium
Surface Treatment	Anodizing
External Coating	Polyester (TGIC-Free)

Optional Specification

EXP	Explosion Proof / Ex d IIB T4
IP68	Watertight Enclosure IP68 / 1bar 72h (KTL)
ALS	Auxiliary Open, Close Limit Switches
ATS	Auxiliary Open, Close Torque Switches
PIU	Potentiometer 1K Ohm
PCU	Proportional Control Unit / Input : DC 4-20mA, DC 1~5V, DC 2~10V / Output: DC 4-20mA
CPT	Current Position Transmitter
LCU	Local Control Unit
IMS	Integral Motor Starter (On-Off Action)
EXT	Travel Angle(120°, 135°, 180°, 270°, 300°)
DCM	Power Supply DC 24V (NA006~NA028)
Field-Bus	Profi-Bus, Mod-Bus, Can-Bus

PERFORMANCE

Type	Max. Output Torque		Operating Time (90/sec)		Rated Current(A)						Motor		Duty Cycle (CSA)	Max. Stem Dia.	Handle Turns	Weight
	Kg.m	N.m	50 Hz	60 Hz	DC 24V	AC 110V	AC 220V	AC 230V	AC 380V	AC 440V	W	Class	S4 (%)	mm		Kg
NA006	6	60	17	14	2.5	0.7	0.38	0.38	0.15	0.15	15	F	50	22	8.5	9.0
NA009	9	90	17	14	3.5	1.1	0.51	0.56	0.18	0.18	25	F	50	22	8.5	9.0
NA015	15	150	20	17	4.5	1.6	0.75	0.75	0.3	0.3	40	F	50	22	10	11.5
NA019	19	190	20	17	4.5	1.6	0.75	0.75	0.3	0.3	40	F	50	22	10	11.5
NA028	28	280	24	20	6.5	1.6	0.75	0.75	0.32	0.32	40	F	50	32	12.5	14.0
NA038	38	380	24	20	-	2.3	1.1	1.06	0.34	0.34	60	F	30	32	12.5	14.0
NA050	50	500	24	20	-	3.5	1.2	1.2	0.47	0.47	90	F	25	32	12.5	14.0



Type		NA006 NA009	NA015 NA019	NA028 NA038 NA050
A		BCD70	BCD70	BCD102
B		4-M8	4-M8	4-M10
C		12	12	18
Flange ISO5211		F07	F07	F10
D	D1	-	BCD102	BCD125
E	E1	-	4-M10	4-M12
F	F1	-	15	18
Flange ISO5211		-	F10	F12
Option		BCD82	BCD82	-
G(MAX)	Key	22	22	32
	Square	20	20	26
H		46	46	55
I		270	274	321
J		108	108	130
K		55	70	75
L		174	184	202
M		120	139	149
N		68	85	95
O		102	102	125
Cable Entries		2-PF3/4"	2-PF3/4"	2-PF3/4"
		2-M20x1.5	2-M20x1.5	2-M20x1.5
		2-NPT3/4"	2-NPT3/4"	2-NPT3/4"