

DESCRIPTION: Angled type closable check valve. Rg5 body. Soft sealing disc. Flat face PN10 flanged. Different inlet/outlet diameter.

APPLICATION: Sanitary piping systems which have a ship's side exit. Ship side valve for discharge from various sanitary systems. Preventing sea water from entering the piping system. Manually closable at e.g. dry docking.

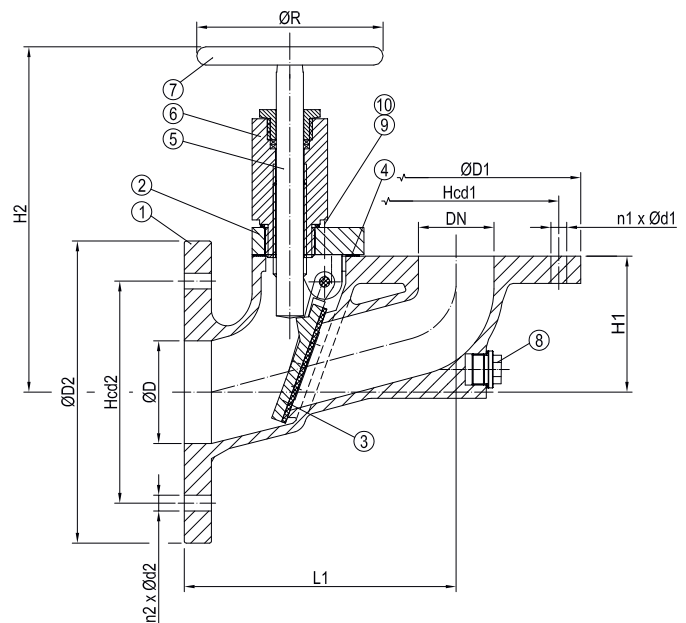
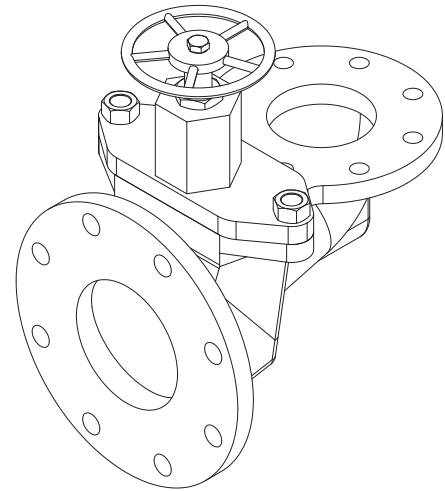
STANDARD & DESIGN:

Design Code: DIN HNA Sr 6 Form B - with closing device and handwheel.
 Inspection Std.: -
 End Std.: EN 1092-3/A (DIN 2501)
 Face to Face Std.: DIN HNA Sr 6
 Flanges drilled: PN10 (DN50-DN200)
 Pressure rating: PN4 (DN50-DN200)
 Temperature Range: -10°C to +60°C

VARIATIONS: With open/close indication.

RG10 body

Other dimensions and materials on request.



| No | Part | Material | Code |
|----|-------------------|-----------------|--------------|
| 1 | Body | Bronze | CuSn5ZnPb5-C |
| 2 | Bonnet | Bronze | CuSn5ZnPb5-C |
| 3 | Disc with Sealing | Bronze +NBR | Rg5 + NBR |
| 4 | Bonnet Gasket | NBR | - |
| 5 | Stem | Brass | CuZn39Pb3 |
| 6 | Stem Nut | Brass | CuZn39Pb3 |
| 7 | Handwheel | Cast Iron | EN-GJL250 |
| 8 | Plug | Stainless Steel | A2(AISI 304) |
| 9 | Stud Bolts | Stainless Steel | A2(AISI 304) |
| 10 | Nut | Stainless Steel | A2(AISI 304) |

| DN | n1xØd1 | Hcd1 | ØD1 | n2xØd2 | Hcd2 | ØD2 | ØD | L1 | H1 | H2 | ØR | Kg |
|-----|--------|------|-----|--------|------|-----|-----|-----|-----|-----|-----|----|
| 50 | 4x18 | 125 | 165 | 8x18 | 160 | 200 | 70 | 180 | 90 | 260 | 140 | 14 |
| 65 | 4x18 | 145 | 185 | 8x18 | 180 | 220 | 85 | 200 | 100 | 270 | 140 | 16 |
| 80 | 8x18 | 160 | 200 | 8x18 | 210 | 250 | 100 | 215 | 108 | 290 | 140 | 22 |
| 100 | 8x18 | 180 | 220 | 8x22 | 240 | 285 | 130 | 250 | 130 | 305 | 140 | 28 |
| 125 | 8x18 | 210 | 250 | 8x22 | 295 | 340 | 158 | 290 | 152 | 330 | 160 | 40 |
| 150 | 8x22 | 240 | 285 | 12x22 | 350 | 395 | 190 | 330 | 176 | 350 | 160 | 50 |
| 200 | 8x22 | 295 | 340 | 12x22 | 400 | 445 | 240 | 425 | 180 | 350 | 160 | 80 |