

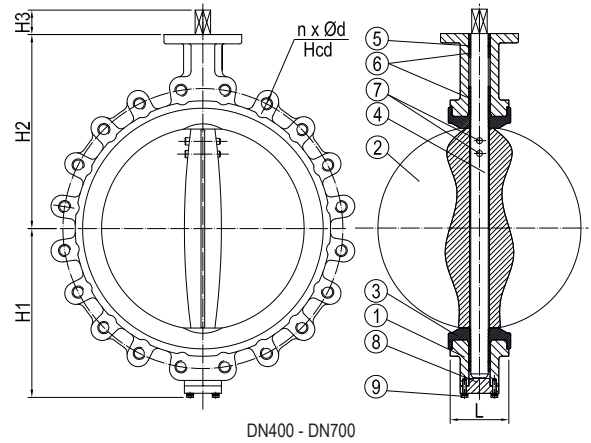
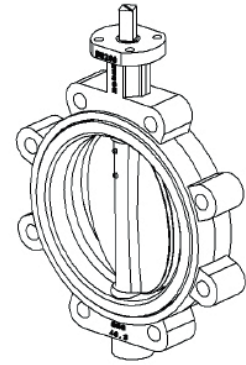
DESCRIPTION: Al Bronze body, vulcanized liner lugged butterfly valve with AlBr disc. Centric free stem with standardized pattern for actuator mounting.

APPLICATION: Start/stop of flow: Sea water, water etc.
Suitable as sea direct.

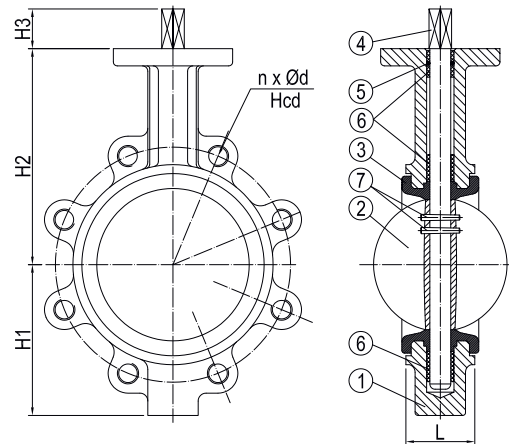
STANDARD & DESIGN:

Design Code: API 609
 Inspection Std.: API 598
 End Std.: DIN 2501 PN16
 Face to Face Std.: ISO 5752-Series 20
 Flanges drilled: PN16 (DN40-DN150)
 PN10 (DN200-DN700)
 Pressure rating: PN16 (DN40-DN150)
 PN10 (DN200-DN700)
 Top Flange: ISO 5211(DN40-DN700)

VARIATIONS: With handlever
 Various actuators and gearboxes
 DN200-600 available as PN16
 Other dimensions on request.
 Available with GGG body.
 EPDM max work temp 110°C (711772/711771)
 Viton max work temp 170°C (712772/712771)



DN400 - DN700



DN40 - DN350

No	Part	Material	Code
1	Body	Al Bronze Alloy	-
2	Disc	Al Bronze Alloy	-
3	Seat	NBR max work temp 80°C	-
4	Stem	Stainless Steel	SS 431
5	O-Ring	NBR	-
6	Bushing	Brass	-
7	Pin	Duplex 2507	-
8	Cover	Cast Iron	GGG40.3
9	Bolts and Accessories	Stainless Steel	SS 316

DN	n x ød	Hcd	L	H1	H2	H3	Kg
40	4xM16	110	33	73	105	32	3.7
50	4xM16	125	43	85	130	32	3.8
65	4xM16	145	46	94	140	32	4.2
80	8xM16	160	46	105	145	32	4.7
100	8xM16	180	52	126	160	32	9.0
125	8xM16	210	56	140	170	32	10.9
150	8xM20	240	56	151	190	32	14.2
200	8xM20	295	60	183	220	40	18.2
250	12xM20	350	68	208	260	40	26.8
300	12xM20	400	78	252	290	45	40.0
350	16xM24	460	78	285	320	45	56.0
400	16xM24	515	102	315	356	45	96.0
450	20xM24	565	114	380	387	55	122.0
500	20xM24	620	127	390	424	55	202.0
600	20xM27	725	154	455	524	80	270.0
700	24xM27	840	165	530	600	80	-