

STRAIGHT TYPE, FLANGED ENDS

DESCRIPTION: Straight type grey cast iron, metal seated, self closing globe valve. Bolted bonnet and lever with counter weight. Raised face flanged.

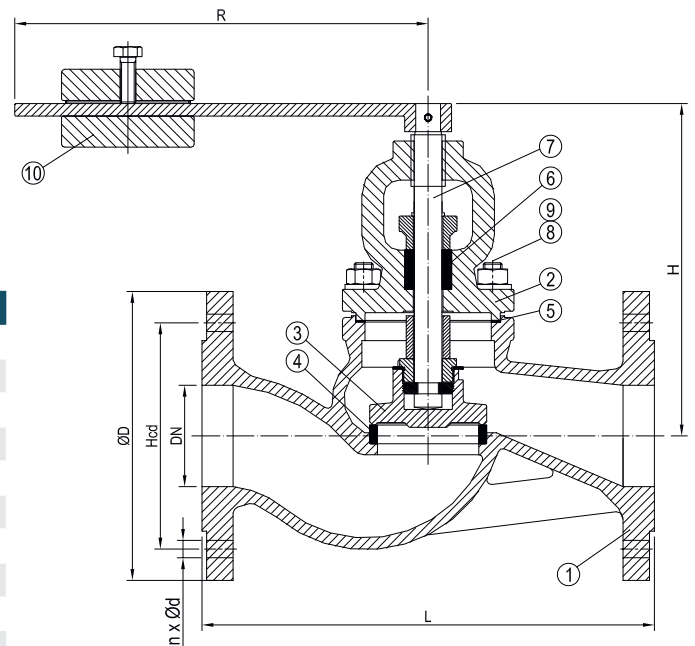
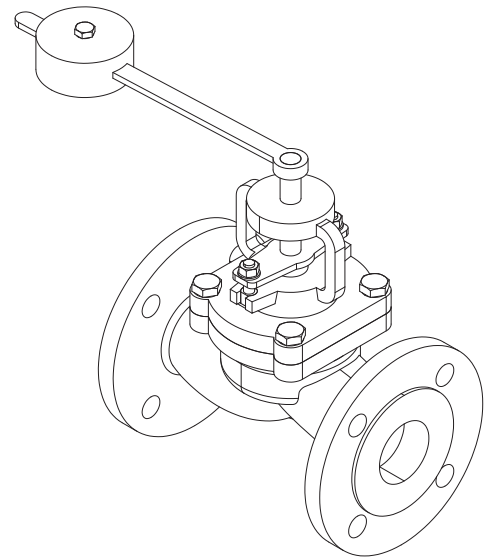
APPLICATION:

For hot and cold and water and oil.
Quick Start/stop of: Water and oils etc.

STANDARD & DESIGN:

Design Code: Body: DIN 86251, bonnet: with counter weight.
 Inspection Std.: -
 End Std.: EN 1092/B (DIN 2501)
 Face to Face Std.: EN 558 Series 1 (DIN 3202 F1)
 Flanges drilled: PN16 (DN15-DN100)
 Pressure rating: PN16 (DN15-DN100)
 Temperature range: -10°C to +180°C

VARIATIONS: Anti clockwise closing.
Bronze trim



No	Part	Material	Code
1	Body	Cast Iron	EN-GJL250
2	Bonnet	Cast Iron	EN-GJL250
3	Disc	Stainless Steel	AISI 420
4	Body Seat	Stainless Steel	AISI 304
5	Bonnet Gasket	Graphite	-
6	Gland Packing	Graphite	-
7	Stem	Stainless Steel	AISI420
8	Stud Bolt	Steel	-
9	Nut	Steel	-
10	Lever&Counter Weight	Steel	St37

DN	n x ød	Hcd	øD	L	H	R	Kg
15	4x14	65	95	130	160	245	3
20	4x14	75	105	150	160	245	6
25	4x14	85	115	160	170	245	7
32	4x18	100	140	180	170	245	8
40	4x18	110	150	200	210	295	13
50	4x18	125	165	230	220	295	15
65	4x18	145	185	290	225	295	21
80	8x18	160	200	310	270	295	28
100	8x18	180	220	350	280	295	40