

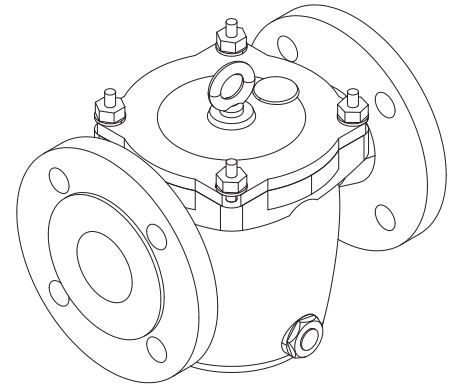
DESCRIPTION: Straight type, Rg5 body and bonnet mud box with AISI 316 strainer basket. Fitted with drain plug and bonnet lifting lug. Raised face flanged.

APPLICATION: Typically used as sea water suction and bilge suction filter etc.
Suction and discharge lines for sea cooling water and bilge systems.

STANDARD & DESIGN:

Design Code: DIN 87151 D - with drain plug.
 Inspection Std.: -
 End Std.: EN 1092-3/B (DIN 2501)
 Face to Face Std.: DIN 87151 - straight type.
 Flanges drilled: PN 10 (DN40-DN700)
 Pressure rating: PN 4 (DN25-DN450)
 PN 2.5 (DN500-DN700)
 Temperature range: -10°C to +120°C

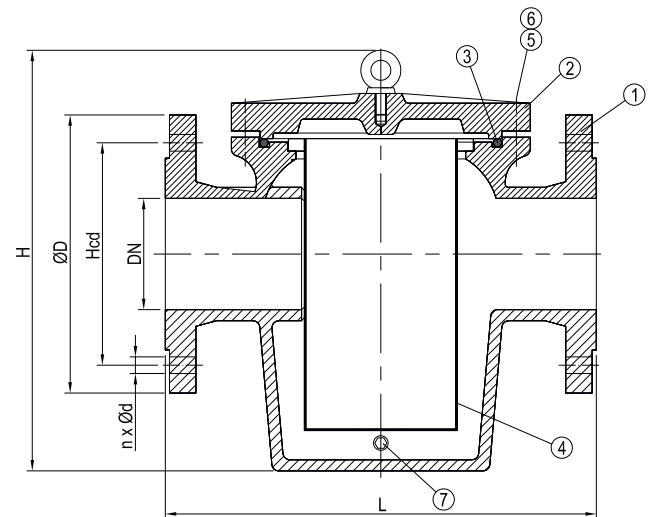
VARIATIONS: CuNiFe strainer basket
 Other mesh sizes
 Bonnet air vent
 Other materials on request.



Pressure & Temperature ranges:

Bore	Working Pressure(Bar)
	120°C
DN25-DN450	4
DN500-DN700	2.5

No	Part	Material	Code
1	Body	Bronze	CuSn5Zn5Pb5-C(Rg5)
2	Bonnet	Bronze	CuSn5Zn5Pb5-C(Rg5)
3	Bonnet Gasket	NBR	-
4	Basket	Stainless Steel	1.4401 (AISI 316)
5	Stud Bolt	Stainless Steel	A2(AISI 304)
6	Nut	Stainless Steel	A2(AISI 304)
7	Drain Plug	Stainless Steel	1.4301(AISI 304)



DN	n x ød	Hcd	øD	L	H	Kg
40	4x18	110	150	200	210	12
50	4x18	125	165	230	215	61
65	8x18	145	185	290	265	23
80	8x18	160	200	310	300	28
100	8x18	180	220	350	340	42
125	8x18	210	250	400	415	60
150	8x22	240	285	480	465	75
200	8x22	295	340	600	580	150
250	12x22	350	395	600	620	160
300	12x22	400	445	700	660	220
350	16x22	460	505	610/690/800	750	237
400	16x26	515	565	740	900	330
450	20x26	565	615	1000	1000	520
500	20x26	620	670	1100	1200	860
600	20x30	725	780	1100	1100	940
700	24x30	840	895	1250	1150	1000