

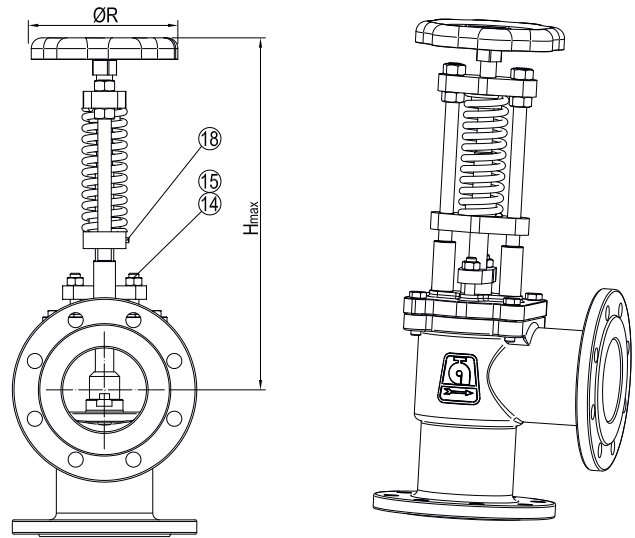
DESCRIPTION: Angled type, Gunmetal Rg5 body, metal seated stop valve with bolted bonnet. Specially designed as overboard valve. Raised face flanged.

APPLICATION: Start/stop and throttling of: Sea water etc.
Suitable as sea direct.

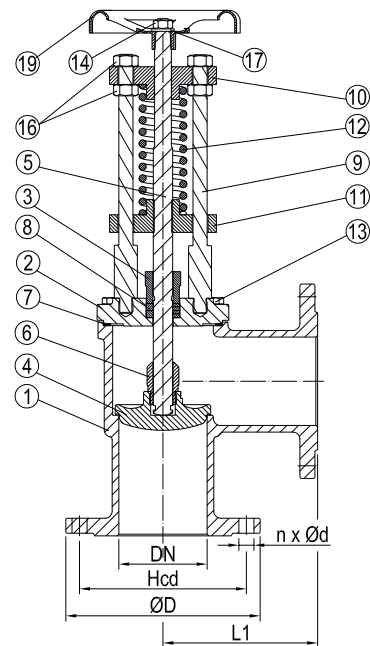
STANDARD & DESIGN:

Design Code: -
 Inspection Std.: -
 End Std.: -
 Face to Face Std.: -
 Flanges drilled: PN16 (DN15-DN150)
 Pressure rating: PN16 (DN15-DN150)

VARIATIONS: Can be supplied with non return disc.
Other dimensions and materials on request.



| No | Part | Material | Code |
|----|---------------|-----------------|-----------|
| 1 | Body | Bronze | CC 491K |
| 2 | Bonnet | Bronze | CC 491K |
| 3 | Gland | Bronze | CC 491K |
| 4 | Disc | Bronze | CC 491K |
| 5 | Stem | Brass | CW 602N |
| 6 | Disc Nut | Bronze | CC 491K |
| 7 | Bonnet Gasket | Dixo 4000 | - |
| 8 | Stem Packing | PTFE | - |
| 9 | Pillar | Steel | EN 1.0718 |
| 10 | Bridge Upper | Bronze | CC 491K |
| 11 | Bridge Lower | Bronze | CC 491K |
| 12 | Spring | Steel | - |
| 13 | Bolt | Stainless Steel | EN 1.4404 |
| 14 | Nut | Stainless Steel | EN 1.4404 |
| 15 | Stud | Stainless Steel | EN 1.4404 |
| 16 | Nut | Stainless Steel | EN 1.4404 |
| 17 | Washer | Stainless Steel | EN 1.4404 |
| 18 | Set Screw | Stainless Steel | EN 1.4404 |
| 19 | Hand Wheel | Cast Iron | EN JS1030 |



| DN | n x ød | Hcd | øD | L1 | H _{max} | øR | Kg |
|-----|--------|-----|-----|-----|------------------|-----|------|
| 15 | 4x14 | 65 | 95 | 90 | 245 | 80 | 4.0 |
| 20 | 4x14 | 75 | 105 | 95 | 245 | 80 | 4.5 |
| 25 | 4x14 | 85 | 115 | 100 | 250 | 80 | 6.0 |
| 32 | 4x18 | 100 | 140 | 105 | 255 | 100 | 7.5 |
| 40 | 4x18 | 110 | 150 | 115 | 290 | 120 | 9.0 |
| 50 | 4x18 | 125 | 165 | 125 | 335 | 140 | 11.0 |
| 65 | 4x18 | 145 | 185 | 145 | 410 | 140 | 16.0 |
| 80 | 8x18 | 160 | 200 | 155 | 425 | 180 | 21.5 |
| 100 | 8x18 | 180 | 220 | 175 | 460 | 180 | 29.0 |
| 125 | 8x18 | 210 | 250 | 200 | 540 | 200 | 49.0 |
| 150 | 8x22 | 240 | 285 | 225 | 585 | 250 | 68.0 |