

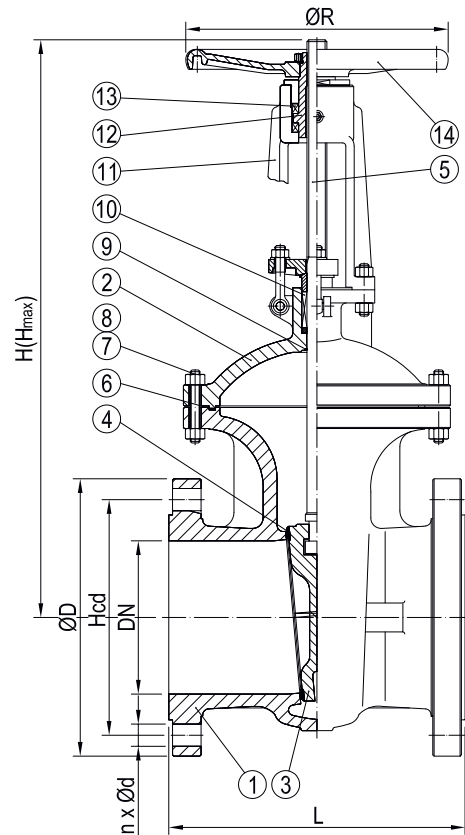
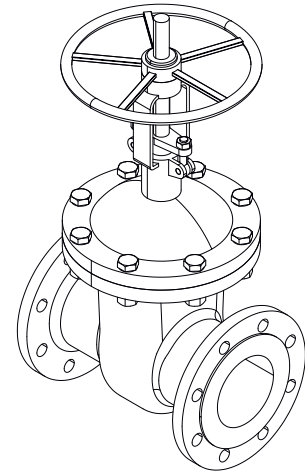
DESCRIPTION: Cast steel body gate valve with stellite coated steel wedge and stellite coated seat. Rising stem and bolted bonnet. Raised face flanged. Long type.

APPLICATION: Start/stop flow with minimized pressure drop for water, steam, oils and aggressive media etc.

STANDARD & DESIGN:

Design Code: EN 1984
 Inspection Std.: EN 12266-1
 End Std.: EN 1092-1
 Face to Face Std.: EN 558-1
 Flanges drilled: PN25(DN40-DN500)
 Pressure rating: PN25(DN40-DN500)

VARIATIONS: With drain plug
 With actuator
 Other dimensions and materials on request.



No	Part	Material	Code
1	Body	Cast Steel	ASTM A216-WCB
2	Bonnet	Cast Steel	ASTM A216-WCB
3	Wedge	Cast Steel	ASTM A216-WCB
4	Seat	Deposited Stellite	-
5	Stem	Stainless Steel	ASTM A182-F6a
6	Bonnet Gasket	Graphite	-
7	Stud Bolt	Steel	ASTM A193 Gr.B7
8	Nut	Steel	ASTM A194 Gr.2H
9	Back Seat	Deposited Stellite	-
10	Packing	Graphite	-
11	Yoke	Cast Steel	ASTM A216-WCB
12	Stem Nut	Al-Bronze alloy	-
13	Axle tree	Steel	E51100
14	Handwheel	Cast Iron	-

DN	n x ød	Hcd	øD	L	H	H _{max}	øR	Kg
40	4x18	110	150	240	300	352	200	18
50	4x18	125	165	250	358	438	240	28
65	8x18	145	185	270	375	450	240	33
80	8x18	160	200	280	433	528	280	46
100	8x22	190	235	300	502	620	320	64
125	8x26	220	270	325	612	753	360	116
150	8x26	250	300	350	676	847	360	141
200	12x26	310	360	400	820	1039	400	213
250	12x30	370	425	450	969	1245	450	290
300	16x30	430	485	500	1142	1472	560	400
350	16x33	490	555	550	1280	1450	640	631
400	16x36	550	620	600	1452	1887	640	900
450	20x36	600	660	650	1541	2011	720	1013
500	20x36	660	730	700	1676	2181	720	1166