

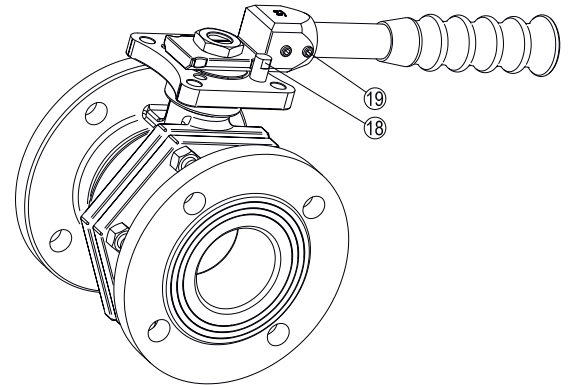
DESCRIPTION: Two piece, full bore, Rg5 body ball valve with AISI 316 ball and PTFE seat ring. Raised face flanged. With direct mounting pad.

APPLICATION: Start/stop flow of: Compressed air, gases and liquids. Typically also used for drain and vent purposes.

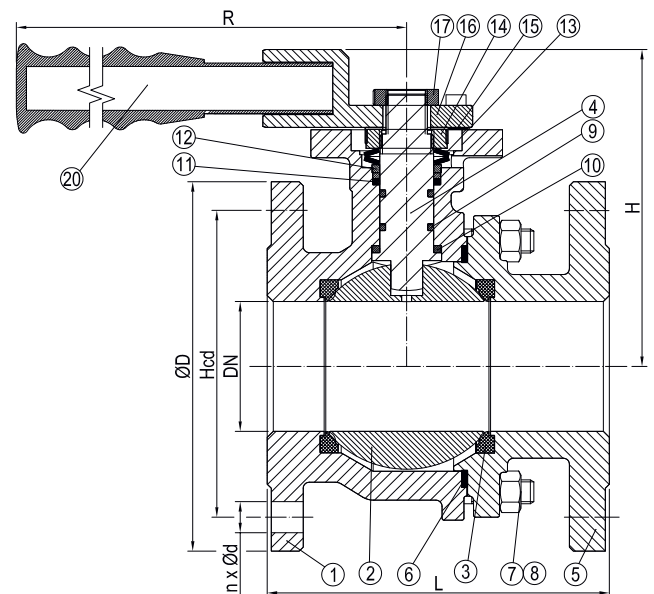
STANDARD & DESIGN:

Design Code: -
 Inspection Std.: -
 End Std.: -
 Face to Face Std.: DIN 3201 F4
 Flanges Drilled: PN40(DN15-DN50)
 PN16(DN65-DN100)
 Pressure rating: PN40(DN15-DN50)
 PN16(DN65-DN100)
 Top flange: ISO 5211 DMP (DN15-DN100)

VARIATIONS: Various actuators.
 Hard chromed brass ball.
 Other dimensions and materials on request.



No	Part	Material	Code
1	Body	Bronze	CC 491K
2	Ball	Stainless Steel	EN 1.4404
3	Ball Seat	PTFE	-
4	Stem	Stainless Steel	EN 1.4404
5	Flange	Bronze	CC 491K
6	Body Gasket	PTFE	-
7	Stud	Stainless Steel	EN 1.4301
8	Nut	Stainless Steel	EN 1.4301
9	O-Ring	Viton	-
10	Stem Packing	PTFE	-
11	Gland Packing	PTFE	-
12	Gland Bush	Stainless Steel	EN 1.4301
13	Belleville Washer	Stainless Steel	EN 1.4310
14	Nut	Stainless Steel	EN 1.4301
15	Stop Washer	Stainless Steel	EN 1.4301
16	Handle Head	Stainless Steel	EN 1.4301
17	Nut	Stainless Steel	EN 1.4301
18	Stop Pin	Stainless Steel	EN 1.4301
19	Set Screw	Stainless Steel	EN 1.4301
20	Handle	Stainless Steel	EN 1.4301



DN	n x ød	Hcd	øD	L	H	R	Kg
15	4x14	65	95	115	90	165	2.6
20	4x14	75	105	120	92	165	3.6
25	4x14	85	115	125	100	165	4.3
32	4x18	100	140	130	110	215	6.4
40	4x18	110	150	140	115	215	8.0
50	4x18	125	165	150	120	215	10.8
65	4x18	145	185	170	170	263	17.0
80	8x18	160	200	180	180	365	20.5
100	8x18	180	220	190	190	365	26.5