

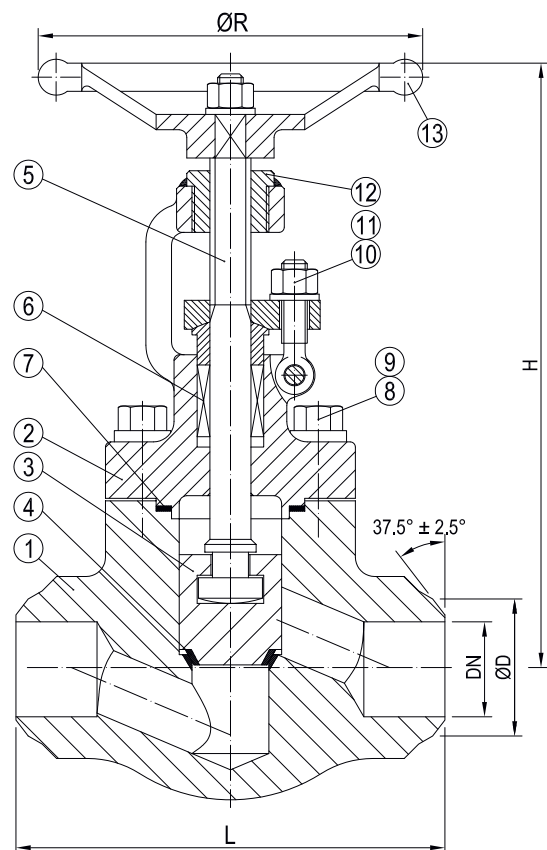
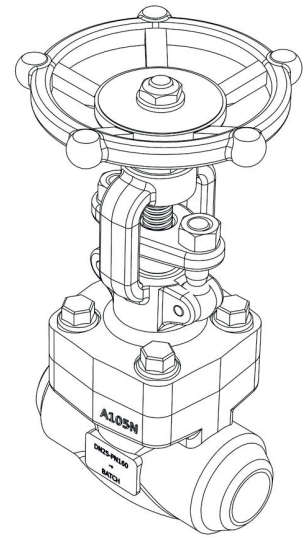
DESCRIPTION: Straight type, forged steel body stop valve, Stellite with rising stem and bolted bonnet. Butt weld ends.

APPLICATION: Start/stop and throttling of: Air, water, steam, oils and aggressive media etc.

STANDARD & DESIGN:

Design Code: BS 5352
 Inspection Std.: EN 12266-1
 End Std.: Butt Welded ends acc. to BS EN12627-1999
 Face to Face Std.: -
 Pressure rating: PN160 (DN15-DN50)

VARIATIONS: Other dimensions and materials on request.



| No | Part | Material | Code |
|----|---------------|--------------------|-----------------|
| 1 | Body | Forged Steel | ASTM A105 |
| 2 | Bonnet | Forged Steel | ASTM A105 |
| 3 | Disc | Stainless Steel | ASTM A276-420 |
| 4 | Seat | Deposited Stellite | - |
| 5 | Stem | Stainless Steel | ASTM A276-410 |
| 6 | Packing | Graphite | - |
| 7 | Bonnet Gasket | Graphite/304 | - |
| 8 | Stud Bolt | Steel | ASTM A193 Gr.B7 |
| 9 | Nut | Steel | ASTM A193 Gr.B7 |
| 10 | Eye Bolt | Steel | ASTM A194 Gr.2H |
| 11 | Gland Nut | Steel | ASTM A193 Gr.B8 |
| 12 | Stem Nut | Steel | 1045 |
| 13 | Handwheel | Malleable Iron | ASTM A197 |

| DN | øD | L | H | øR | Kg |
|----|----|-----|-----|-----|------|
| 15 | 22 | 111 | 125 | 125 | 2.3 |
| 20 | 28 | 111 | 125 | 125 | 2.4 |
| 25 | 35 | 120 | 160 | 160 | 4.3 |
| 32 | 44 | 152 | 180 | 180 | 5.7 |
| 40 | 50 | 172 | 200 | 200 | 7.8 |
| 50 | 62 | 200 | 220 | 220 | 12.5 |