

DESCRIPTION: Straight type, cast steel body, metal seated spring loaded lift check valve. Raised face flanges.

APPLICATION: Cold and hot water, gases, steam and other neutral liquids.

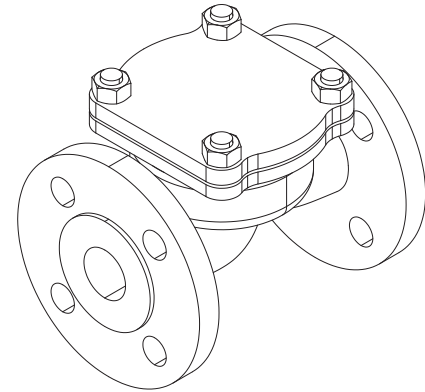
Preventing backflow in air, steam, water, sea water and oil systems etc. Suitable when rapid flow reversal can occur, to prevent hammering.

STANDARD & DESIGN:

Design Code: Body: EN 13709 with spring
 Inspection Std.: -
 End Std.: EN 1092-1/B (DIN 2501)
 Face to Face Std.: EN 558 series 1 (DIN 3202 F1)
 Flanges drilled: PN40 (DN15-DN150)
 Pressure rating: PN40(DN15-DN150)
 Temperature range: -10°C to +180°C

VARIATIONS: Without spring.

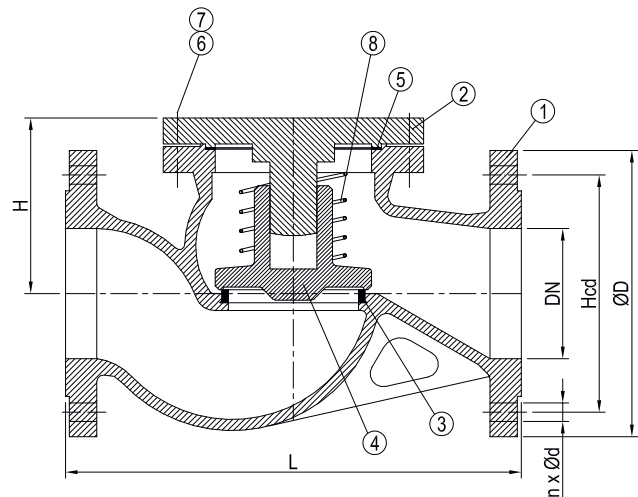
Other dimensions and materials on request.



Pressure & Temperature ranges:

Bore	Working Pressure(Bar)	
	Upto 120°C	120°C to 180°C
DN15-DN150	40	33

No	Part	Material	Code
1	Body	Cast Steel	GP240GH
2	Bonnet	Cast Steel	GP240GH
3	Seat	Stainless Steel	AISI 304(1.4301)
4	Disc (<=65) (>=80)	Bronze Cast Steel	CuSn5Zn5Pb5-C GP240GH
5	Bonnet Gasket	Graphite	-
6	Stud Bolt	Steel	-
7	Nut	Steel	-
8	Spring	Spring Steel	1.4310



DN	n x ød	Hcd	øD	L	H	Kg
15	4x14	65	95	130	55	3.5
20	4x14	75	105	150	55	4.0
25	4x14	85	115	160	65	4.5
32	4x18	100	140	180	75	5.5
40	4x18	110	150	200	80	9.0
50	4x18	125	165	230	85	11.0
65	8x18	145	185	290	95	15.0
80	8x18	160	200	310	115	24.0
100	8x22	190	235	350	140	32.0
125	8x26	220	270	400	160	48.0
150	8x26	250	300	480	200	65.0