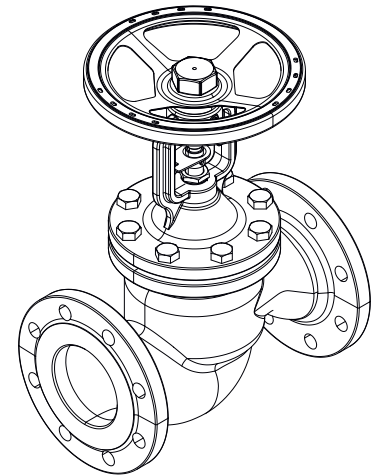


DESCRIPTION: Straight type, nodular cast iron body. Metal seated screw down stop valve with non-rising bellow sealed stem. Bolted bonnet with open/closed indication. Raised face flanged.

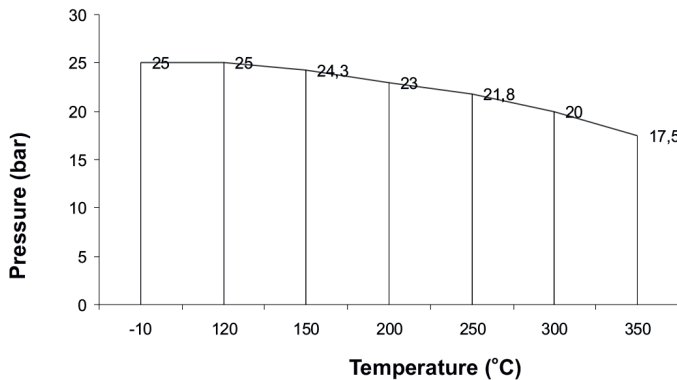
APPLICATION: Hot and cold water plants, Steam plants, Neutral fluids. Start/stop and throttling of hot medias: Water, steam and oils etc. Also suitable for vacuum applications.

STANDARD & DESIGN:

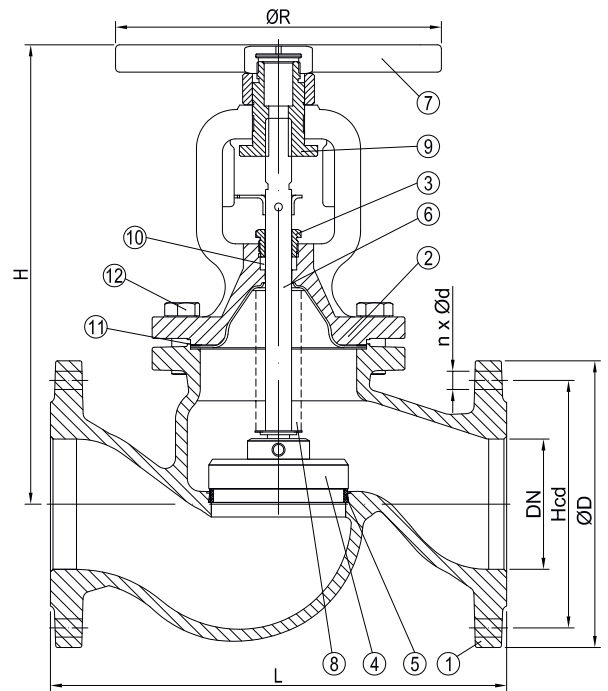
Design Code: -
 Inspection Std.: EN 12266-1
 End Std.: EN 1092-2
 Face to Face Std.: EN 558-1
 Flanges drilled: PN25 (DN15-DN200)
 Pressure rating: PN25 (DN15-DN200)



VARIATIONS: Can be supplied with regulating disc. Angled type available.



No	Part	Material	Code
1	Body	Nodular Cast Iron	EN-GJS400-18-LT
2	Bonnet	Nodular Cast Iron	EN-GJS400-18-LT
3	Gland	Free cutting Steel	11SMnPb30
4	Disc	Stainless Steel	X20Cr13 1.4021
5	Seat Ring	Stainless Steel	X12Cr13 1.4006
6	Stem	Stainless Steel	X20Cr13 1.4021
7	Handwheel	Steel	-
8	Bellow	Stainless Steel	X6CrNiMoTi-17-12-2
9	Sleeve	Free cutting Steel	11SMnPb30
10	Gland Packing	Graphite	-
11	Bonnet Gasket	Graphite+ CrNiSt	Gr+CrNiSt
12	Hexagon Bolt	304 Stainless Steel	A2-70



DN	n x ød	Hcd	øD	L	H	øR	Kg
15	4x14	65	95	130	178	125	3.2
20	4x14	75	105	150	178	125	3.9
25	4x14	85	115	160	193	125	4.9
32	4x19	100	140	180	201	125	6.5
40	4x19	110	150	200	224	150	9.0
50	4x19	125	165	230	228	150	11.0
65	8x19	145	185	290	270	175	15.8
80	8x19	160	200	310	295	200	24.3
100	8x23	190	235	350	325	250	35.0
125	8x28	220	270	400	380	300	49.0
150	8x28	250	300	480	427	400	76.0
200	12x28	310	360	600	569	500	130.5