

# DUAL PLATE CHECK VALVE

315102/01  
PN16/PN10

## WAFER TYPE

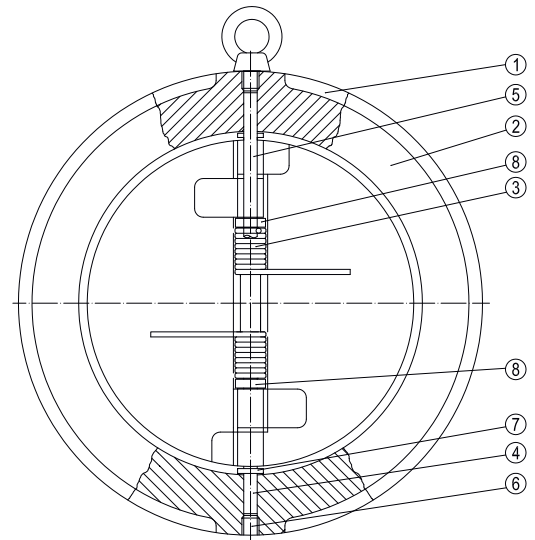
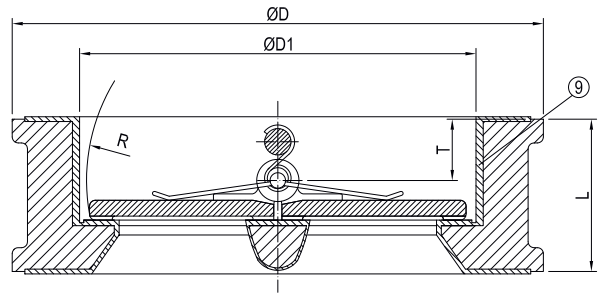
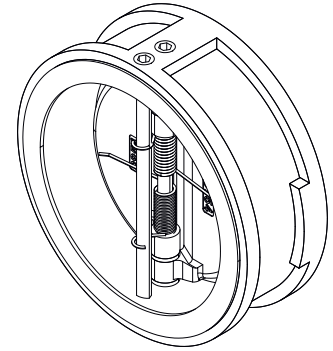
**DESCRIPTION:** Wafer type, NBR lined nodular cast iron body, spring tensioned dual check valve with soft sealing AlBr plates.

**APPLICATION:** Preventing backflow in water, sea water and oil systems etc.

**STANDARD & DESIGN:**

Design Code: API 594  
 Inspection Std.: API 598  
 End Std.: DIN 2501 PN10/PN16  
 Face to Face Std.: ISO 5752-Series 16  
 Pressure rating: PN16(DN50-DN300)  
 PN10(DN350-DN700)

**VARIATIONS:** DN350-DN700 as PN16



No	Part	Material	Code
1	Body	Nodular Cast Iron	GGG40.3
2	Plate	Al Bronze alloy	ALB-C95400
3	Spring	Inconel	-
4	Hinge Pin	Monel	-
5	Stop Pin	Monel	-
6	Plug	Steel	-
7	Body Bearing	PTFE	-
8	Spring Bearing	PTFE	-
9	Body Seat	NBR	-

DN	Inch	øD	øD1	L	R	T	Kg
50	2	107	65	43	28.8	19	1.5
65	2 1/2	127	80	46	36.1	20	2.0
80	3	142	94	64	43.4	28	3.3
100	4	162	117	64	52.8	27	4.0
125	5	192	145	70	65.7	30	5.5
150	6	218	170	76	78.6	31	8.0
200	8	273	224	89	104.4	33	13.5
250	10	328	265	114	127	50	20.0
300	12	378	310	114	148.3	43	42.0
350	14	438	360	127	173	45	55.0
400	16	489	410	140	198	52	75.0
450	18	539	450	152	217.8	58	100.0
500	20	594	505	152	241	58	120.0
600	24	695	624	178	292	73	-
700	28	810	720	229	350	98	-